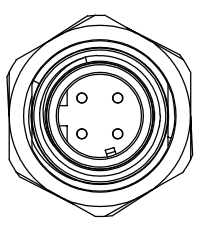
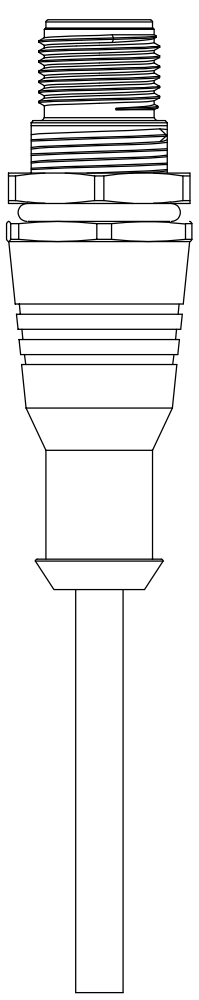
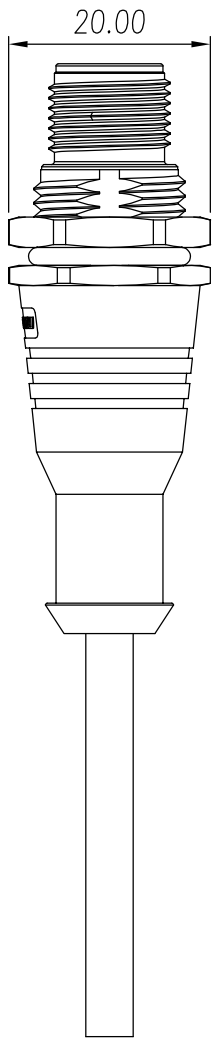
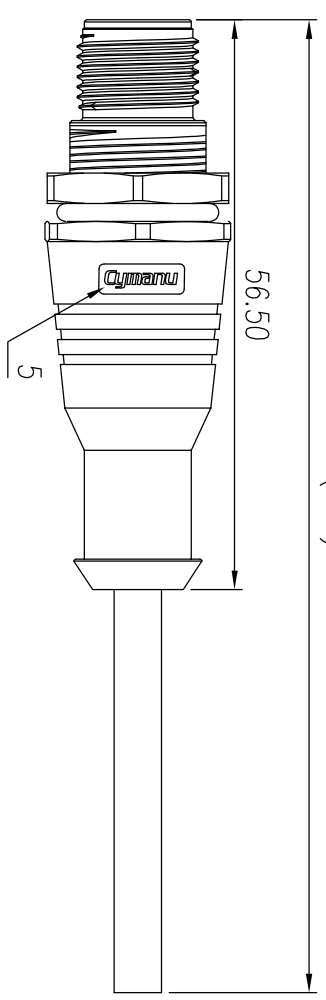


REV	ECN	SIGN	DATE	DESCRIPTION
1.0	V0	K. ZHAO	08/17/2021	

L(mm)



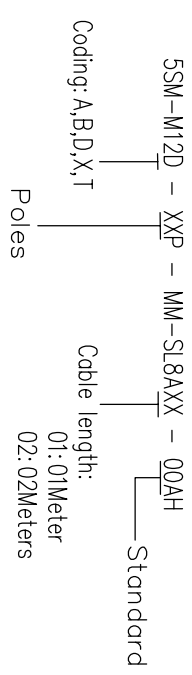
NOTES:

1. RoHS Compliant
2. Levels of protection: IP68
3. Cable: UL2517,PVC/PUR,Black
4. Operating temperature: -25℃~85℃
5. Company Logo
6. Connector tolerances:

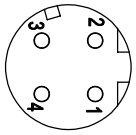
variable range	linear dimension											
	over 18 to 30	over 30 to 50	over 50 to 80	over 80 to 120	over 120 to 160	over 160 to 200	all to 5	over 5 to 30	over 30 to 120	over 120 to 200		
tolerance	±0.15	±0.25	±0.35	±0.55	±0.80	±1.05	±1.30	0.5	0.025	0.06	0.12	0.4

7. Cable length tolerance:

- 01~03m: ±50mm
- 04~06m: ±75mm
- 07~10m: ±100mm
- 11~20m: ±200mm
- 21~30m: ±300mm
- 31~99m: ±500mm



4	Black
3	Blue
2	Whitr
1	Brown
PIN	WIRE



4P

Remark: This drawing is a controlled document for Cymanu. All specifications are subject to change without prior notice.

SIZE: A4	SCALE: 4:3	SHEET: 1/1	UNIT: mm
DESIGNER: K. ZHAO	CHECKER: C. LU	APPROVER: H. JIANG	DATE: 08/17/2021
PART NO.: SSM-M12D-XXP-4M-SLBAXX-00AH	TITLE: M12A male, Front Fastened Socket	CUSTOMER:	
NINGBO CHANGTU ELECTRONICS MANUFACTURING CO., LTD Email: sales@cymanu.com WWW.CYMANU.COM			