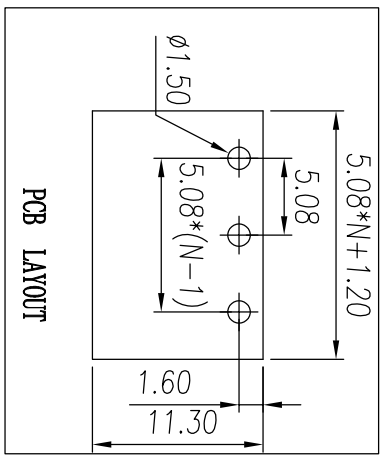
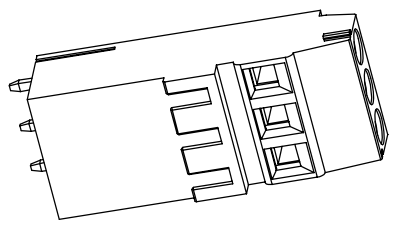
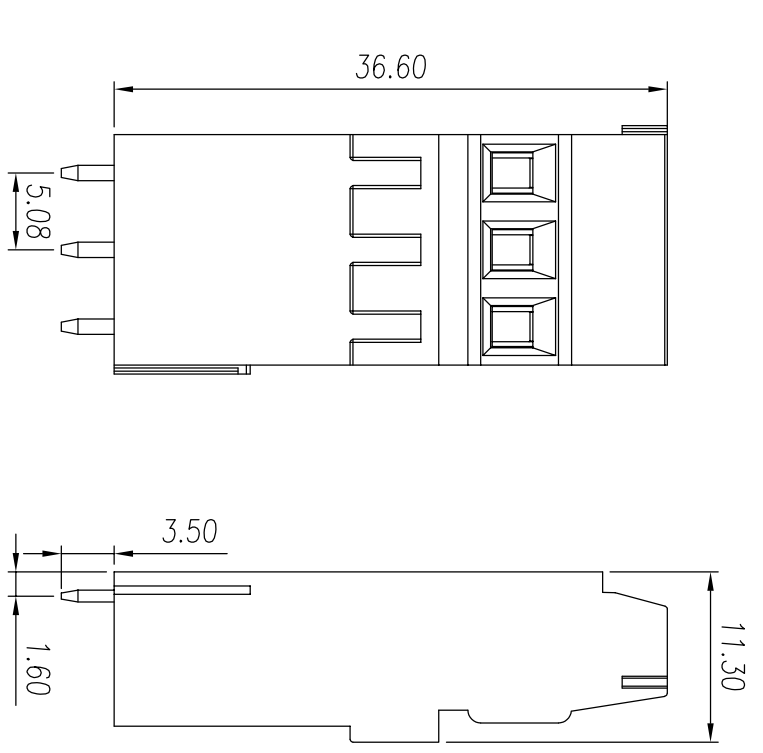
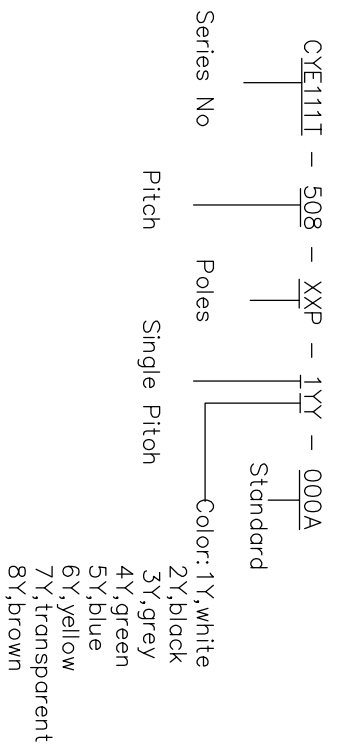


REV	ECN	SIGN	DATE	DESCRIPTION
1.0	V0	K. ZHAO	04/23/2021	

- NOTES:
- UL Standard
- | Application              | B   | C | D   |
|--------------------------|-----|---|-----|
| Rate voltage(V)          | 300 | / | 300 |
| Rate current(A)          | 16  | / | 10  |
| Rate impulse voltage(KV) | 1.6 |   |     |
- Wire range : 26 ~ 12 AWG
- IEC Standard
- | Pollution degree         | 2   | 2   | 3   |
|--------------------------|-----|-----|-----|
| Overvoltage category     | II  | III | III |
| Rate impulse voltage(KV) | 4   | 4   | 4   |
| Rate voltage(V)          | 320 | 250 | 250 |
| Rate current(A)          | 18  |     |     |



- Wire range : 0.2 ~ 2.5 mm<sup>2</sup>
- Torque: 0.5 N.m(4.43lb.in)
- Pitch : 5.08 mm, Poles : N=02/03 P
- Stripping length : 7 ~ 8 mm
- Operating temperature: -40°C~+105°C
- RoHS Compliance
- Material: Housing PA66,UL94V-0
- Screws M3 Steel,Or plated
- Pin copper alloy,Sn plated



linear dimension	tolerance
over 18 to 30	±0.15
over 30 to 50	±0.25
over 50 to 80	±0.35
over 80 to 120	±0.45
over 120 to 160	±0.60
over 160 to 200	±0.75
all	±0.90
5 to 5	0.5
5 to 30	0.025
30 to 30	0.06
30 to 120	0.12
120 to 120	0.4

Remark: This drawing is a controlled document for Cymannu. All specifications are subject to change without prior notice.

PARAMETER	VALUE	DATE
DESIGNER: K. ZHAO	DATE: 04/23/2021	
CHECKER: C. LU	DATE: 04/23/2021	
APPROVER: H. JIANG	DATE: 04/23/2021	

PARAMETER	VALUE
PART NO.: CYE111T-508-XXP-1YY-000A	
TITLE: Fixed connector	
CUSTOMER:	

**Cymannu** 囍字电子

NINGBO CHANGYU ELECTRONICS MANUFACTURING CO., LTD

Email: sales@cymannu.com WWW.CYMANNU.COM