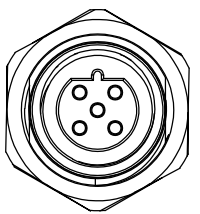
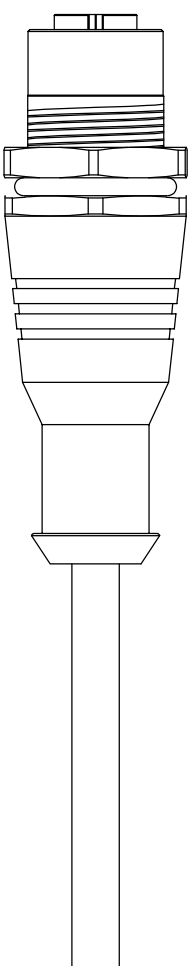
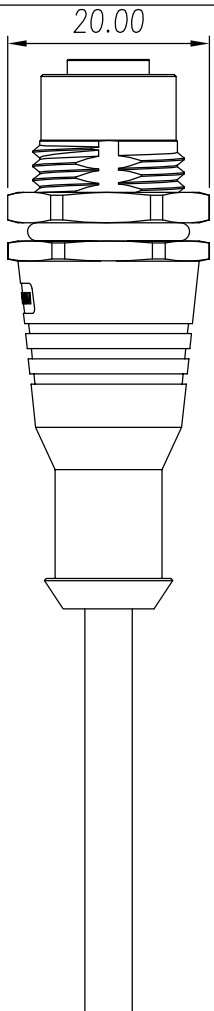
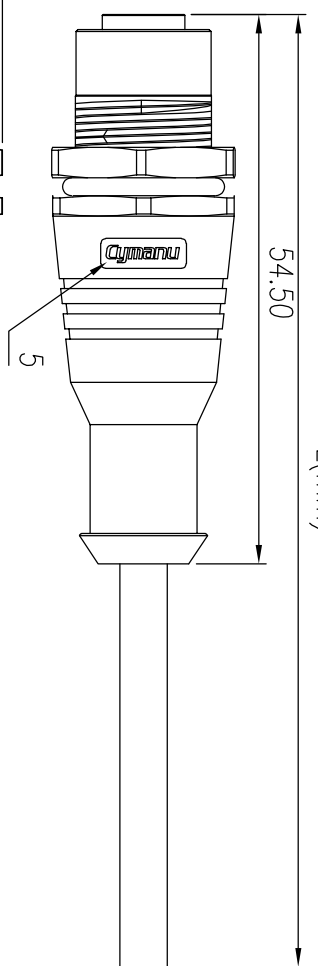


L(mm)
54.50



REV	ECN	SIGN	DATE	DESCRIPTION
1.0	V0	K. ZHAO	08/12/2021	

NOTES:

1. RoHS Compliant
2. Levels of protection: IP68
3. Cable: UL2517,PVC/PUR,Black
4. Operating temperature: -25℃~85℃
5. Company Logo
6. Connector tolerances:

linear dimension	≡		□		∥		⊥		
	over	under	over	under	over	under	over	under	
variable range	18 to 10	30 to 10	50 to 30	80 to 50	120 to 80	160 to 120	all to 5	over 5 to 30	over 30 to 120
tolerance	±0.15	±0.25	±0.35	±0.55	±0.80	±1.05	±1.30	0.5	0.025 0.06 0.12 0.4

7. Cable length tolerance:

- 01~03m: ±50mm
- 04~06m: ±75mm
- 07~10m: ±100mm
- 11~20m: ±200mm
- 21~30m: ±300mm
- 31~99m: ±500mm

5SM-M12B - XXP - FF-SL8AXX - 00AH

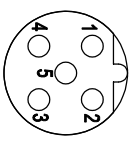
Coding: A,B,D,X,T

Cable length:

- 01: 01Meter
- 02: 02Meters

99: 99Meters

5	Gray
4	Black
3	Blue
2	Whitr
1	Brown
PIN	WIRE



5P

Remark: This drawing is a controlled document for Cymanu. All specifications are subject to change without prior notice.

SIZE: A4	SCALE: 4 : 3	CHECKED: C. LU	APPROVED: H. JIANG	DATE: 08/12/2021
UNIT: mm	SHEET: 1 / 1	DATE: 08/12/2021	DATE: 08/12/2021	DATE: 08/12/2021

PARAM:	K. ZHAO	DATE:	08/12/2021
TITLE:	S5M-M12B-XXP-FF-SL8AXX-00AH	PART NO.:	
CUSTOMER:	M12B female, Front Fastened Socket		

Cymanu 囍字电子

NINGBO CHANGYU ELECTRONICS MANUFACTURING CO., LTD

Email: sales@cymanu.com WWW.CYMANU.COM