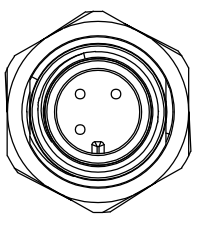
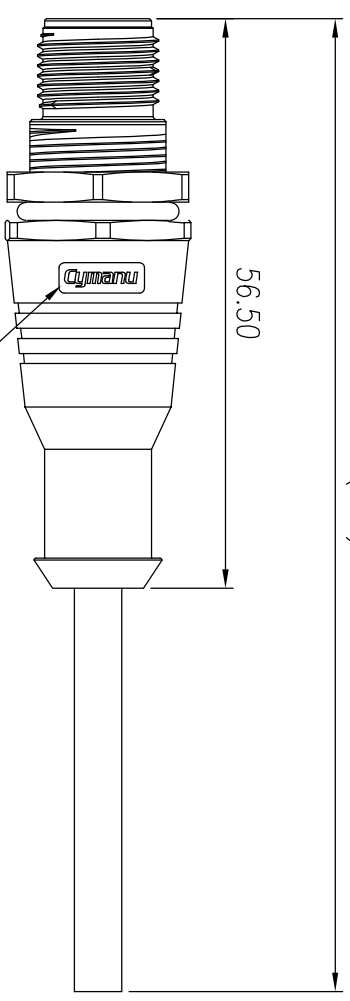


REV	ECN	SIGN	DATE	DESCRIPTION
1.0	V0	K. ZHAO	08/30/2021	

L(mm)



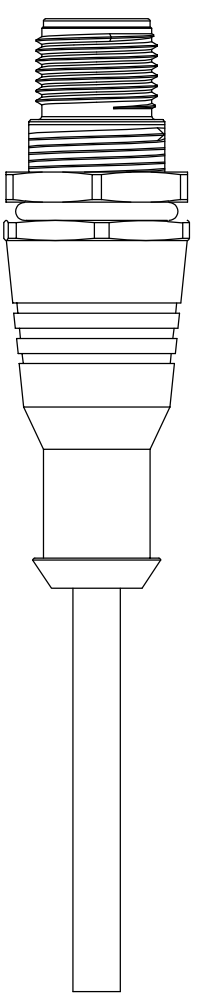
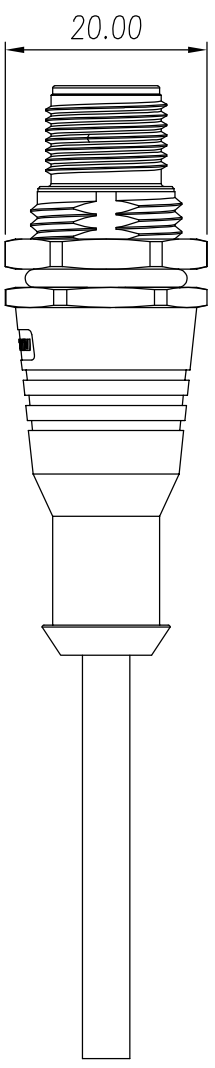
NOTES:

1. RoHS Compliant
2. Levels of protection: IP68
3. Cable: UL2517,PVC/PUR,Black
4. Operating temperature: -25℃~85℃
5. Company Logo
6. Connector tolerances:

variable range	linear dimension										≡	∇	∥	⊥
	over 10	over 18	over 30	over 50	over 80	over 120	over 160	over 180	all	over 5				
to 10	to 30	to 50	to 80	to 120	to 160	to 180	to 180	to 180	to 5	to 30	to 120	to 120		
tolerance ±0.15	±0.25	±0.35	±0.55	±0.80	±1.05	±1.30	0.5	0.025	0.06	0.12	0.4			

7. Cable length tolerance:

- 01~03m: ±50mm
- 04~06m: ±75mm
- 07~10m: ±100mm
- 11~20m: ±200mm
- 21~30m: ±300mm
- 31~99m: ±500mm



S5M-M12A - XXP - MM-SL8AXX - 00AH

Coding: A,B,D,X,T

Cable length:

- 01: 01Meter
- 02: 02Meters

Standard

99: 99Meters

Remark: This drawing is a controlled document for Cymaru. All specifications are subject to change without prior notice.

SIZE: A4	SCALE: 4 : 3	CHECKED: C. LU	DATE: 08/30/2021
UNIT: mm	SHEET: 1 / 2	APPROVED: H. JIANG	DATE: 08/30/2021

PARAM: K. ZHAO  
DATE: 08/30/2021  
PART NO: S5M-M12A-XXP-MM-SL8AXX-00AH  
TITLE: M12A male, Front Fastened Socket  
CUSTOMER:

**Cymaru** 囍字電子  
NINGBO CHANGTU ELECTRONICS MANUFACTURING CO., LTD  
Email: sales@cymaru.com WWW.CYMARU.COM

