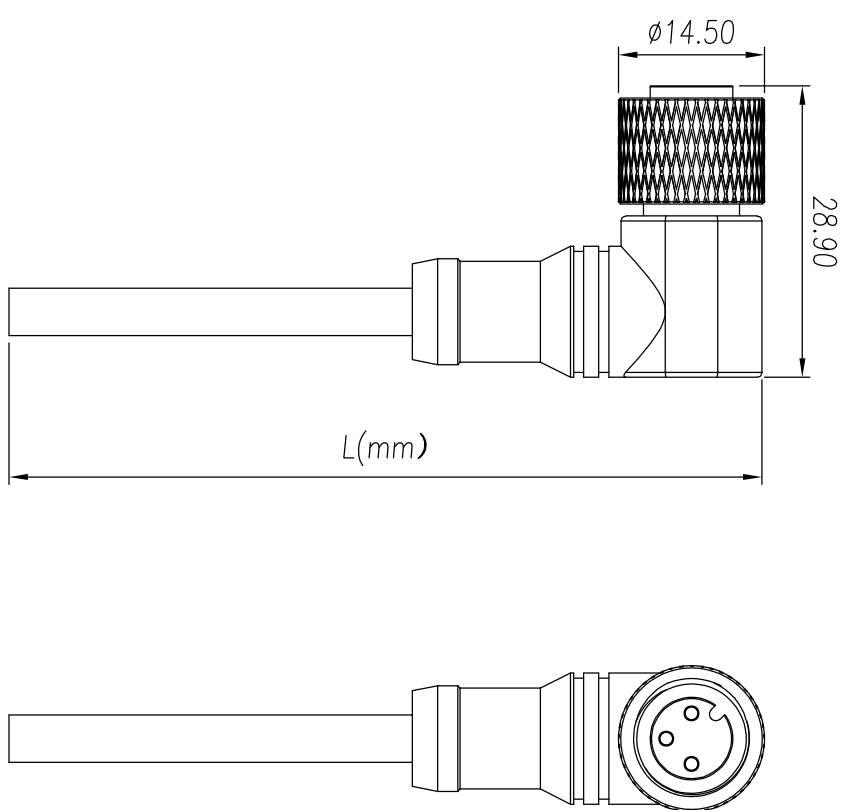


REV	ECN	SIGN	DATE	DESCRIPTION
1.0	V0	K. ZHAO	08/10/2021	



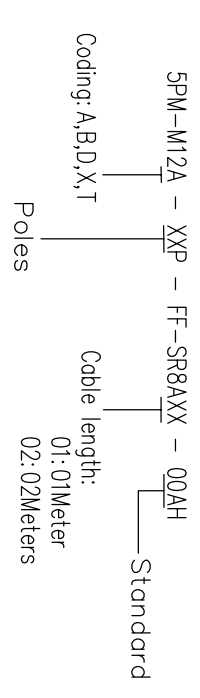
NOTES:

1. RoHS Compliant
2. Levels of protection: IP68
3. Cable: UL2517,PVC/PUR,Black
4. Operating temperature: -25℃~85℃
5. Connector tolerances:

variable range	linear dimension											
	over 18 to 30	over 30 to 50	over 50 to 80	over 80 to 120	over 120 to 160	over 160 to 30	all to 5	over 5 to 30	over 30 to 120	over 120 to 0.4		
tolerance	±0.15	±0.25	±0.35	±0.5	±0.80	±1.05	±1.30	0.5	0.025	0.06	0.12	0.4

6. Cable length tolerance:

- 01~03m: ±50mm
- 04~06m: ±75mm
- 07~10m: ±100mm
- 11~20m: ±200mm
- 21~30m: ±300mm
- 31~99m: ±500mm



Remark: This drawing is a controlled document for Cymannu. All specifications are subject to change without prior notice.

SIZE	SCALE	CHECKED	DATE
A4	4 : 3	C. LU	08/10/2021

UNIT	SHEET	APPROVED	DATE
mm	1 / 2	H. JIANG	08/10/2021



 NINGBO CHANGYU ELECTRONICS MANUFACTURING CO., LTD

 Email: sales@cymannu.com WWW.CYMANNU.COM

