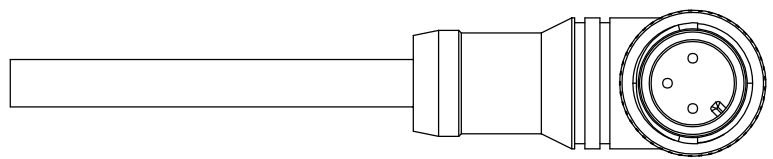
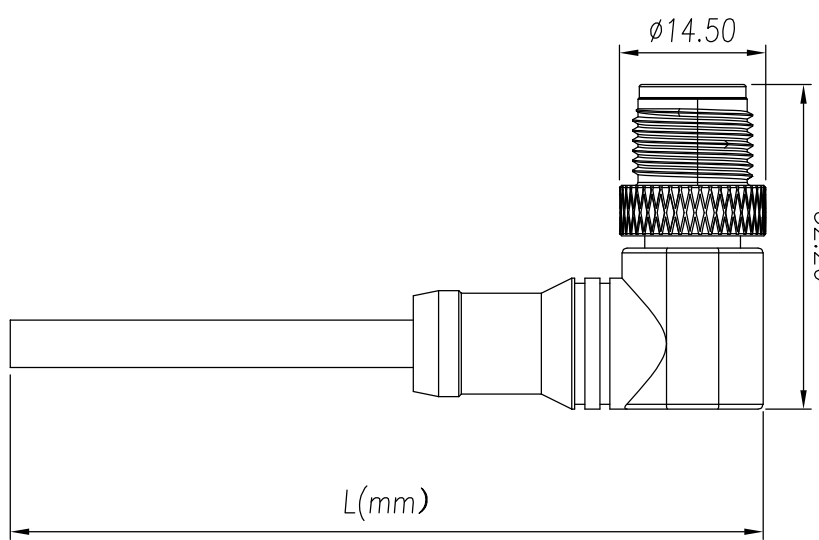


REV	ECN	SIGN	DATE	DESCRIPTION
1.0	V0	K. ZHAO	08/30/2021	

32.20

∅14.50



NOTES:

1. RoHS Compliant
2. Levels of protection: IP68
3. Cable: UL2517,PVC/PUR,Black
4. Operating temperature: -25℃~85℃
5. Company Logo
6. Connector tolerances:

		linear dimension												≡	∇	//	⊥
variable range	to	over 18	over 30	over 50	over 80	over 120	over 160	over 180	all	to 5	over 10	over 30	over 120				
	to	to 10	to 30	to 50	to 80	to 120	to 160	to 180		to 5	to 10	to 30	to 120				
tolerance		±0.15	±0.25	±0.35	±0.55	±0.80	±1.05	±1.30	0.5	0.025	0.06	0.12	0.4				

7. Cable length tolerance:

- 01~03m: ±50mm
- 04~06m: ±75mm
- 07~10m: ±100mm
- 11~20m: ±200mm
- 21~30m: ±300mm
- 31~99m: ±500mm

5PM-M12A - XXP - MM-SR8AXX - 00AH
 Coding: A,B,D,X,T
 Poles
 Cable length:
 01: 01Meter
 02: 02Meters
 Standard

99: 99Meters

Remark: This drawing is a controlled document for Cymannu. All specifications are subject to change without prior notice.

SIZE: A4	SCALE: 4 : 3	CHECKED: C. LU	APPROVED: H. JIANG	DATE: 08/30/2021
UNIT: mm	SHEET: 1 / 2			

PART NO: SPM-M12A-XXP-MM-SR8AXX-00AH	TITLE: M12A male Plug
CUSTOMER:	

Cymannu 囍字電子
 NINGBO CHANGTU ELECTRONICS MANUFACTURING CO., LTD
 Email: sales@cymannu.com WWW.CYMANNU.COM

