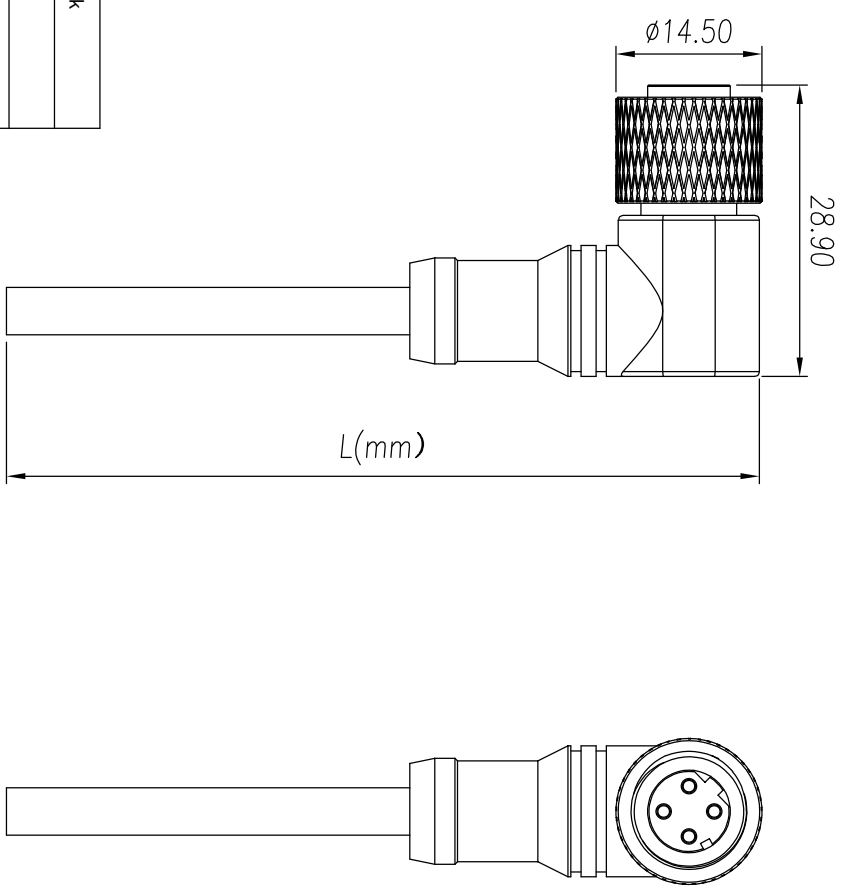
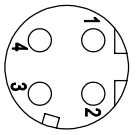


REV	ECN	SIGN	DATE	DESCRIPTION
1.0	V0	K. ZHAO	08/17/2021	



4	Black
3	Blue
2	Whitr
1	Brown
PN	WIRE



4P

- NOTES:
1. RoHS Compliant
 2. Levels of protection: IP68
 3. Cable: UL2517,PVC/PUR,Black
 4. Operating temperature: -25℃~85℃
 5. Connector tolerances:

variable range	linear dimension											
	over 18 to 30	over 30 to 50	over 50 to 80	over 80 to 120	over 120 to 160	over 160 to 300	all to 5	over 5 to 30	over 30 to 120	over 120 to 0.4		
tolerance	±0.15	±0.25	±0.35	±0.55	±0.80	±1.05	±1.30	0.5	0.025	0.06	0.12	0.4

6. Cable length tolerance:

- 01~03m: ±50mm
- 04~06m: ±75mm
- 07~10m: ±100mm
- 11~20m: ±200mm
- 21~30m: ±300mm
- 31~99m: ±500mm

5PM-M12D - XXP - FF-SR8AXX - 00AH
 Coding: A,B,D,X,T
 Cable length: 01: 01Meter
 Poles 02: 02Meters
 Standard 99: 99Meters

Remark: This drawing is a controlled document for Cymannu. All specifications are subject to change without prior notice.

SIZE: A4	SCALE: 4:3	CHECKED: C. LU	APPROVED: H. JIANG	DATE: 08/17/2021
UNIT: mm	SHEET: 1/1	DATE: 08/17/2021	DATE: 08/17/2021	DATE: 08/17/2021

PARAM: K. ZHAO
 DATE: 08/17/2021
 PART NO: 5PM-M12D-XXP-FF-SR8AXX-00AH
 TITLE: M12D female Plug
 CUSTOMER: NINGBO CHANGYU ELECTRONICS MANUFACTURING CO., LTD
 Email: sales@cymannu.com
 WWW.CYMANNU.COM