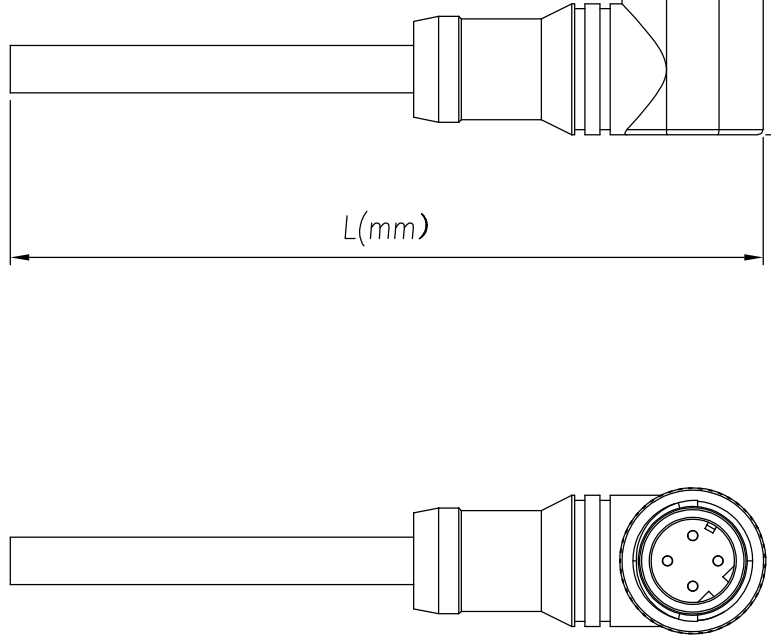
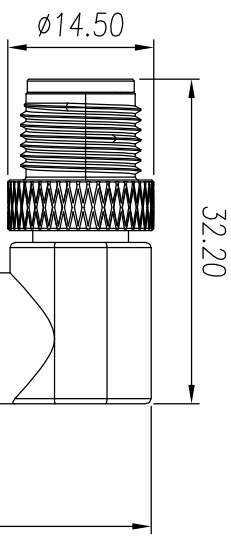
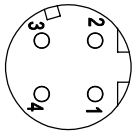


REV	ECN	SIGN	DATE	DESCRIPTION
1.0	V0	K. ZHAO	08/17/2021	



4	Black
3	Blue
2	White
1	Brown
PIN	WIRE



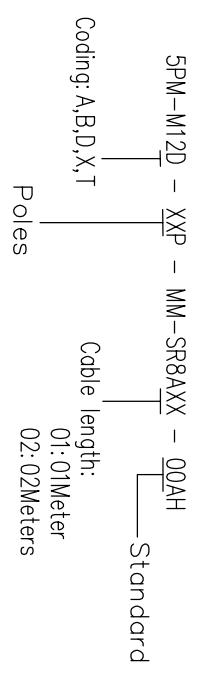
4P

- NOTES:
1. RoHS Compliant
 2. Levels of protection: IP68
 3. Cable: UL2517,PVC/PUR,Black
 4. Operating temperature: -25℃~85℃
 5. Connector tolerances:

linear dimension	≡		□		∥		⊥		
	over	under	over	under	over	under	over	under	
variable range	18 to 10	30 to 10	50 to 30	80 to 50	120 to 80	160 to 120	all to 5	over 5 to 30	over 30 to 120
tolerance	±0.15	±0.25	±0.35	±0.55	±0.80	±1.05	±1.30	0.5	0.025 0.06 0.12 0.4

6. Cable length tolerance:

- 01~03m: ±50mm
- 04~06m: ±75mm
- 07~10m: ±100mm
- 11~20m: ±200mm
- 21~30m: ±300mm
- 31~99m: ±500mm



99: 99Meters

Remark: This drawing is a controlled document for Cymannu. All specifications are subject to change without prior notice.

SIZE: A4	SCALE: 4:3	CHECKED: C. LU	DATE: 08/17/2021
UNIT: mm	SHEET: 1/1	APPROVED: H. JIANG	DATE: 08/17/2021

PART NO: SPM-M12D-XXP-4M-SR8AXX-00AH
TITLE: M12D male Plug
CUSTOMER:

Cymannu 嚒字電子
NINGBO CHANGYU ELECTRONICS MANUFACTURING CO., LTD
Email: sales@cymannu.com WWW.CYMANNU.COM