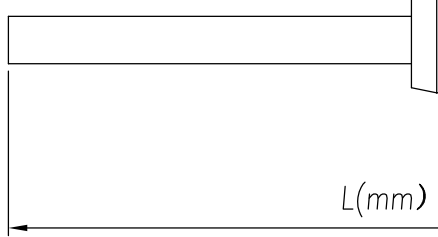
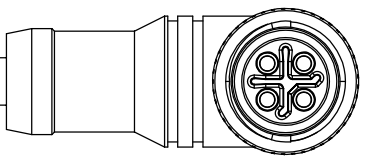
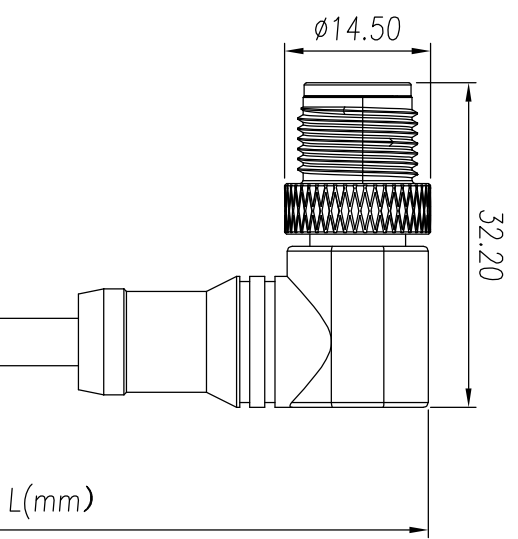


REV	ECN	SIGN	DATE	DESCRIPTION
1.0	V0	K. ZHAO	09/05/2021	

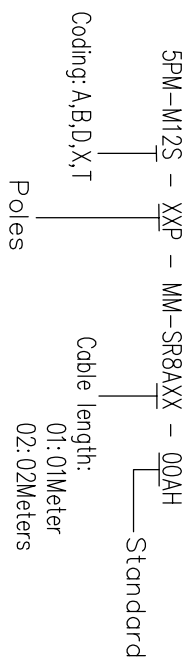


		linear dimension										≡	□	//	⊥
variable range	to	over 18	over 30	over 50	over 80	over 120	over 160	all	to 5	over 30	over 120	over 5	over 30	over 120	
	to	to 10	to 30	to 50	to 80	to 120	to 160	5	to 30	to 120	to 5	to 30	to 120		
tolerance		±0.15	±0.25	±0.35	±0.55	±0.80	±1.05	±1.30	0.5	0.025	0.06	0.12	0.4		

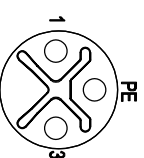
- NOTES:
1. RoHS Compliant
 2. Levels of protection: IP68
 3. Cable: UL2517,PVC/PUR,Black
 4. Operating temperature: -25℃~85℃
 5. Connector tolerances:

6. Cable length tolerance:

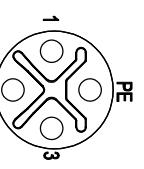
- 01~03m: ±50mm
- 04~06m: ±75mm
- 07~10m: ±100mm
- 11~20m: ±200mm
- 21~30m: ±300mm
- 31~99m: ±500mm



4	Yellow/Green	4	Yellow/Green
3	Black	3	Black
2	Black	2	Black
1	Black	1	Black
PIN	WIRE	PIN	WIRE



3P



4P

Remark: This drawing is a controlled document for Cymannu. All specifications are subject to change without prior notice.

SIZE: A4	SCALE: 4 : 3	DRAWN: K. ZHAO	CHECKED: C. LU	APPROVED: H. JIANG	DATE: 09/05/2021
UNIT: mm	SHEET: 1 / 1				

PART NO: SPM-M12S-XXP-MM-SR8AXX-00AH	TITLE: M12S male Plug
CUSTOMER:	

Cymannu 囍字電子

NINGBO CHANGYU ELECTRONICS MANUFACTURING CO., LTD

Email: sales@cymannu.com WWW.CYMANNU.COM