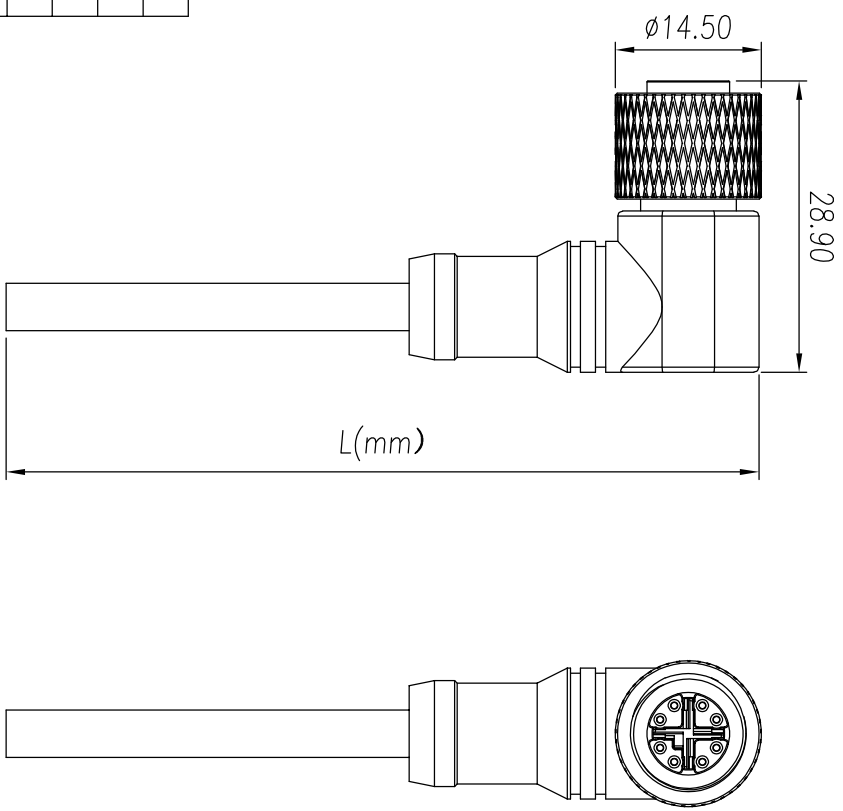
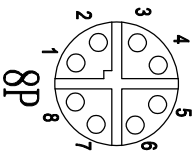


REV	ECN	SIGN	DATE	DESCRIPTION
1.0	V0	K. ZHAO	09/21/2021	



8	Red
7	Blue
6	Green
5	Yellow
4	Pink
3	Gray
2	Brown
1	White
PIN	WIRE



NOTES:

1. RoHS Compliant
2. Levels of protection: IP67
3. Cable: CAT6A S/FTP, Blue
4. Operating temperature: -25°C~85°C
5. Connector tolerances:

linear dimension	≠		□		∥		⊥					
	over	under	over	under	over	under	over	under				
variable range	18 to 30	30 to 50	50 to 80	80 to 120	120 to 160	160 to 30	30 to 5	5 to 30	30 to 120			
tolerance	±0.15	±0.25	±0.35	±0.55	±0.80	±1.05	±1.30	0.5	0.025	0.06	0.12	0.4

6. Cable length tolerance:

- 01~03m: ±50mm
- 04~06m: ±75mm
- 07~10m: ±100mm
- 11~20m: ±200mm
- 21~30m: ±300mm
- 31~99m: ±500mm

5PMSH-M12X - XXP - FF-SR7XXX - 00AH
 Coding: A,B,D,X,T
 Poles
 Cable length:
 01: 01Meter
 02: 02Meters
 99: 99Meters

Remark: This drawing is a controlled document for Cymannu. All specifications are subject to change without prior notice.

SIZE: A4	SCALE: 4:3	CHECKED: C. LU	DATE: 09/21/2021	DRAWN: K. ZHAO	DATE: 09/21/2021	PART NO.: 5PMSH-M12X-XXP-FF-SR7XXX-00AH
UNIT: mm	SHEET: 1/1	APPROVED: H. JIANG	DATE: 09/21/2021			TITLE: M12X female Plug
						CUSTOMER:

Cymannu 囍字電子
 NINGBO CHANGYU ELECTRONICS MANUFACTURING CO., LTD
 Email: sales@cymannu.com WWW.CYMANNU.COM