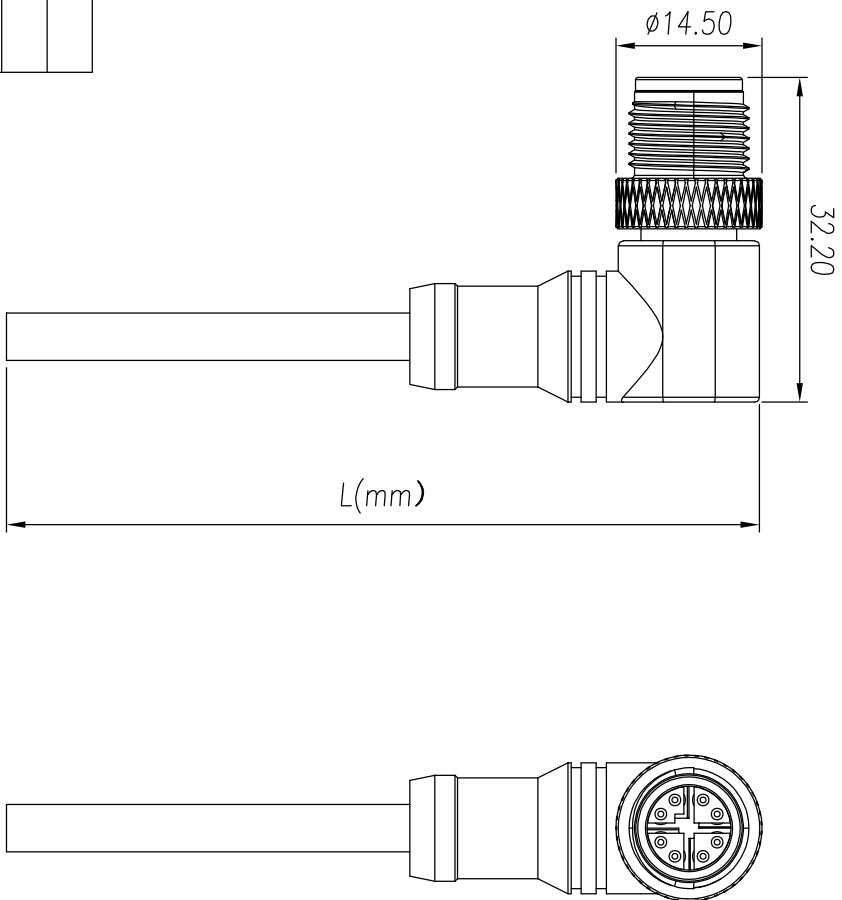


REV	ECN	SIGN	DATE	DESCRIPTION
1.0	V0	K. ZHAO	09/21/2021	



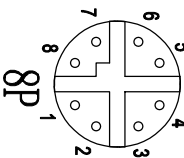
- NOTES:
1. RoHS Compliant
 2. Levels of protection: IP67
 3. Cable: CAT6A S/FTP, Blue
 4. Operating temperature: -25°C~85°C
 5. Connector tolerances:

variable range	linear dimension											
	over 18 to 30	over 30 to 50	over 50 to 80	over 80 to 120	over 120 to 160	over 160 to 180	all to 5	over 5 to 30	over 30 to 120	over 120 to 180		
tolerance	±0.15	±0.25	±0.35	±0.55	±0.80	±1.05	±1.30	0.5	0.025	0.06	0.12	0.4

6. Cable length tolerance:
- 01~03m: ±50mm
 - 04~06m: ±75mm
 - 07~10m: ±100mm
 - 11~20m: ±200mm
 - 21~30m: ±300mm
 - 31~99m: ±500mm

5PMSH-M12X - XXP - MM - SR7XXX - 00AH
 Coding: A,B,D,X,T
 Cable length:
 01: 01Meters
 02: 02Meters
 99: 99Meters
 Standard

8	Red
7	Blue
6	Green
5	Yellow
4	Pink
3	Gray
2	Brown
1	White
PIN	WIRE



Remark: This drawing is a controlled document for Cymannu. All specifications are subject to change without prior notice.

SIZE: A4	SCALE: 4:3	CHECKED: C. LU	APPROVED: H. JIANG	DATE: 09/21/2021
UNIT: mm	SHEET: 1/1	DATE: 09/21/2021		

PARA. NO.: 5PMSH-M12X-XXP-MM-SR7XXX-00AH
TITLE: M12X male Plug
CUSTOMER:

Cymannu 囍字电子
 NINGBO CHANGYU ELECTRONICS MANUFACTURING CO., LTD
 Email: sales@cymannu.com WWW.CYMANNU.COM