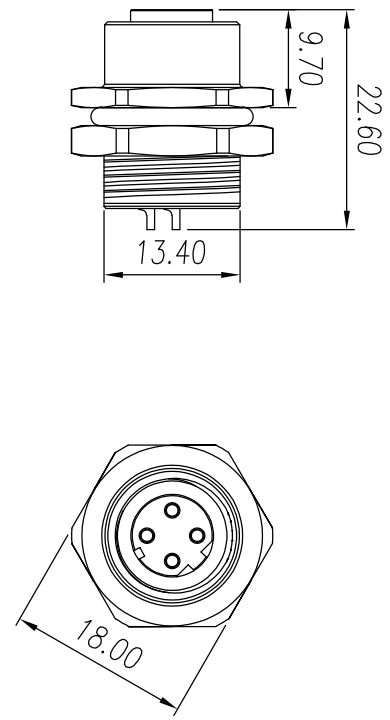


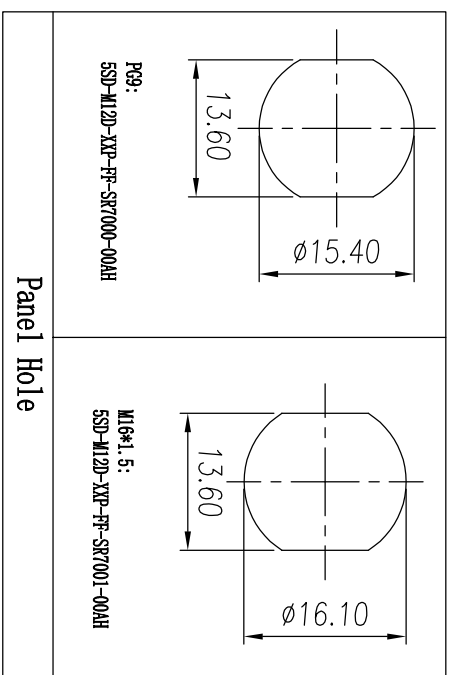
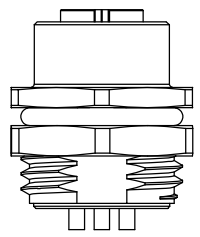
| REV | ECN | SIGN | DATE | DESCRIPTION |
|-----|-----|---------|------------|-------------|
| 1.0 | V0 | K. ZHAO | 08/17/2021 | |

- NOTES:
- 1.RoHS Compliant
 - 2.Levels of protection: IP67
 - 3.Installation mode: Solder, Front fastened
 - 4.Operating temperature: -40°C~105°C
 - 5.Applicable Panel: Panel Hole
- For Panel Thinknese Max: 4.5mm
- 6.Connector tolerances:

| linear dimension | ≡ | | □ | | // | | ⊥ | | | | | |
|------------------|-------|-------|-------|-------|-------|-------|-------|-------|-------|------|------|-----|
| | over | under | over | under | over | under | over | under | | | | |
| variable range | 18 | 30 | 50 | 80 | 120 | 160 | all | 5 | 30 | 120 | | |
| to | 10 | 30 | 50 | 80 | 120 | 160 | to | 5 | 30 | 120 | | |
| tolerance | ±0.15 | ±0.25 | ±0.35 | ±0.55 | ±0.80 | ±1.05 | ±1.30 | 0.5 | 0.025 | 0.06 | 0.12 | 0.4 |



5SD-M12D - XXP - FF-SR7001 - 00AH
 Coding: A,B,D
 Poles
 Thread type:
 000: PC9
 001: M16*1.5
 Standard



Remark: This drawing is a controlled document for Cymannu. All specifications are subject to change without prior notice.

| | | | |
|----------|--------------|--------------------|------------------|
| SIZE: A4 | SCALE: 4 : 3 | CHECKED: C. LU | DATE: 08/17/2021 |
| UNIT: mm | SHEET: 1 / 1 | APPROVED: H. JIANG | DATE: 08/17/2021 |

| | |
|--|---|
| PARA. NO.: SSS-M12D-XXP-FF-SR7001-00AH | TITLE: M12D female Back Fastened Socket |
| CUSTOMER: | |

Cymannu 囍字电子

NINGBO CHANGTU ELECTRONICS MANUFACTURING CO., LTD
 Email: sales@cymannu.com
 WWW.CYMANNU.COM