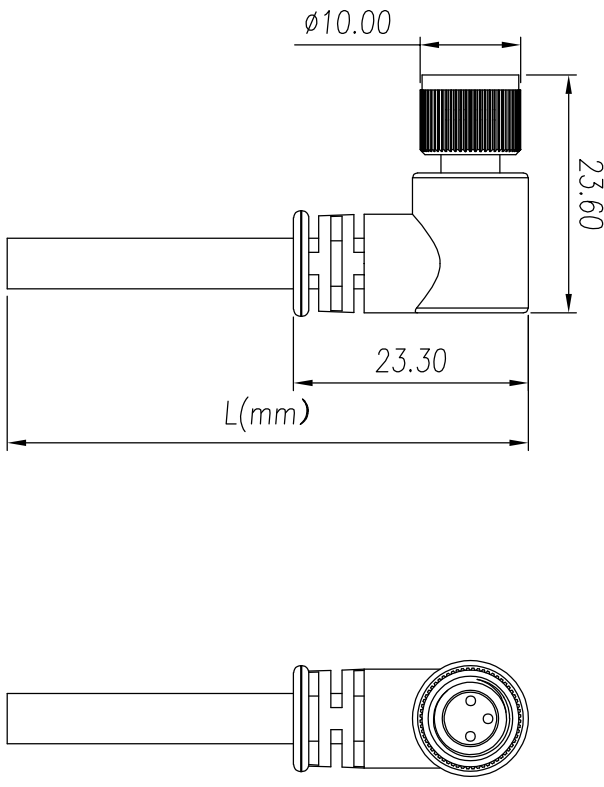


REV	ECN	SIGN	DATE	DESCRIPTION
1.0	V0	K. ZHAO	10/21/2021	/



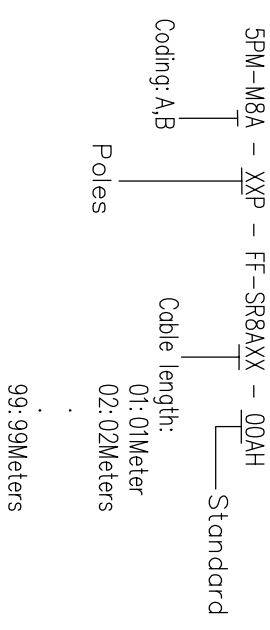
NOTES:

1. RoHS Compliant
2. Levels of protection: IP68
3. Cable: UL2517,PVC/PUR,Black
4. Operating temperature: -25°C~85°C
5. Connector tolerances:

linear dimension	≡		□		∥		⊥					
	over	under	over	under	over	under	over	under				
variable range	18	to	30	to	80	to	160	to	120			
	10	to	30	to	80	to	160	to	120			
tolerance	±0.15	±0.25	±0.35	±0.55	±0.80	±1.05	±1.30	0.5	0.025	0.06	0.12	0.4

6. Cable length tolerance:

- 01~03m: ±50mm
- 04~06m: ±75mm
- 07~10m: ±100mm
- 11~20m: ±200mm
- 21~30m: ±300mm
- 31~99m: ±500mm



Remark: This drawing is a controlled document for Cymannu. All specifications are subject to change without prior notice.

SIZE:	SCALE:	CHECKED:	DATE:	PART NO.:
A4	4 : 3	K. ZHAO	10/21/2021	5PM-M8A-XXP-FF-SR8AXX-00AH
UNIT: mm	SHEET:	APPROVED:	DATE:	CUSTOMER:
1 / 2	1 / 2	H. JIANG	10/21/2021	/

Cymannu 嗶字電子

NINGBO CHANGYU ELECTRONICS MANUFACTURING CO., LTD

Email: sales@cymannu.com WWW.CYMANNU.COM

