

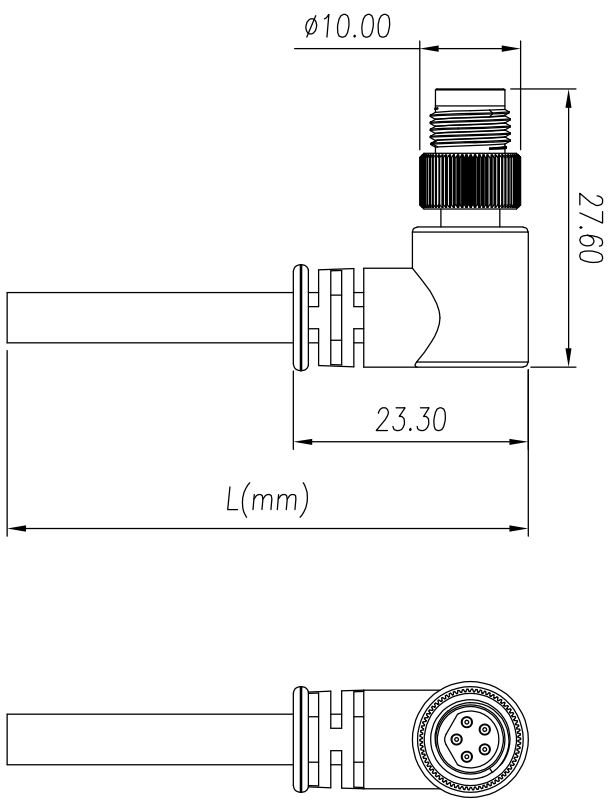
REV	ECN	SIGN	DATE	DESCRIPTION
1.0	V0	K. ZHAO	10/21/2021	/

NOTES:

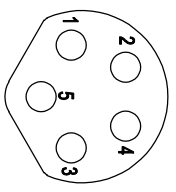
1. RoHS Compliant
2. Levels of protection: IP68
3. Cable: UL2517,PVC/PUR,Black
4. Operating temperature: -25℃~85℃
5. Company Logo
6. Connector tolerances:

variable range	linear dimension											
	over 18 to 30	over 30 to 50	over 50 to 80	over 80 to 120	over 120 to 160	over 160 to 200	all to 5	over 5 to 30	over 30 to 120	over 120 to 160		
tolerance	±0.15	±0.25	±0.35	±0.55	±0.80	±1.05	±1.30	0.5	0.025	0.06	0.12	0.4

7. Cable length tolerance:
- 01~03m: ±50mm
 - 04~06m: ±75mm
 - 07~10m: ±100mm
 - 11~20m: ±200mm
 - 21~30m: ±300mm
 - 31~99m: ±500mm



5	Gray
4	Yellow
3	Green
2	Brown
1	Whiter
PN	WIRE



5P

Remark: This drawing is a controlled document for Cymannu. All specifications are subject to change without prior notice.

SIZE: A4	SCALE: 4:3	CHECKED: C. LU	DATE: 10/21/2021
UNIT: mm	SHEET: 1/1	APPROVED: H. JIANG	DATE: 10/21/2021

PART NO: 5PM-M8B-XXP-MM-SR8AXX-00AH
TITLE: M8B male, Plug
CUSTOMER: /

Cymannu 嚒字電子

NINGBO CHANGYU ELECTRONICS MANUFACTURING CO., LTD

Email: sales@cymannu.com WWW.CYMANNU.COM

