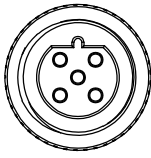
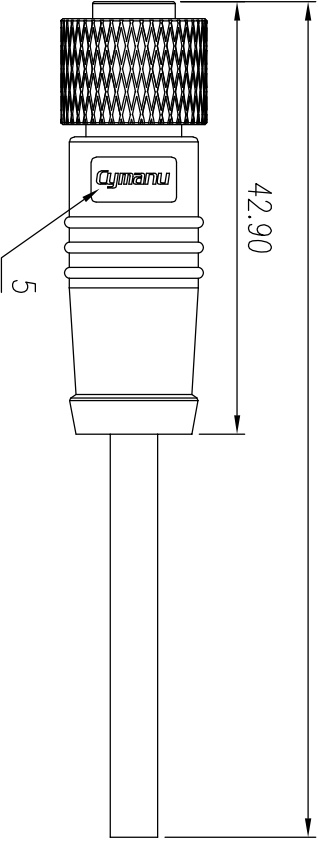


REV	ECN	SIGN	DATE	DESCRIPTION
1.0	V0	K. ZHAO	08/10/2021	

L(mm)

42.90



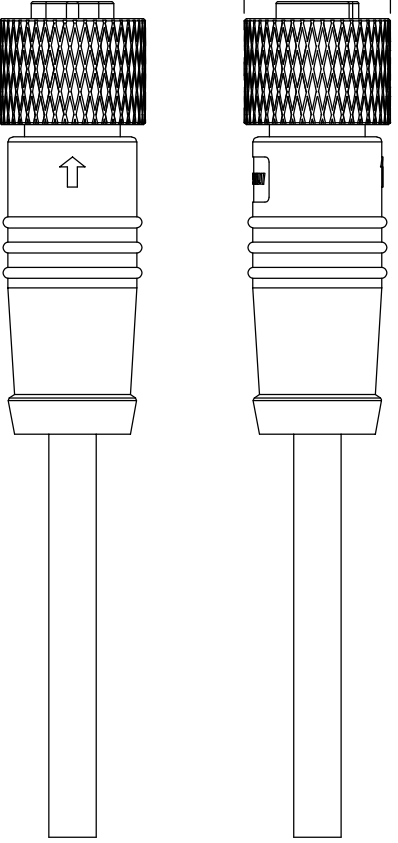
NOTES:

1. RoHS Compliant
2. Levels of protection: IP68
3. Cable: UL2517,PVC/PUR,Black
4. Operating temperature: -25℃~85℃
5. Company Logo
6. Connector tolerances:

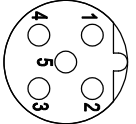
variable range	linear dimension											
	over 18 to 10	over 30 to 10	over 50 to 10	over 80 to 10	over 120 to 10	over 160 to 10	over 180 to 10	over 120 to 5	over 30 to 5	over 120 to 0.4		
tolerance	±0.15	±0.25	±0.35	±0.55	±0.80	±1.05	±1.30	0.5	0.025	0.06	0.12	0.4

7. Cable length tolerance:

- 01~03m: ±50mm
- 04~06m: ±75mm
- 07~10m: ±100mm
- 11~20m: ±200mm
- 21~30m: ±300mm
- 31~99m: ±500mm



5	Gray
4	Black
3	Blue
2	Whitr
1	Brown
PN	WIRE



5P

Remark: This drawing is a controlled document for Cymanu. All specifications are subject to change without prior notice.

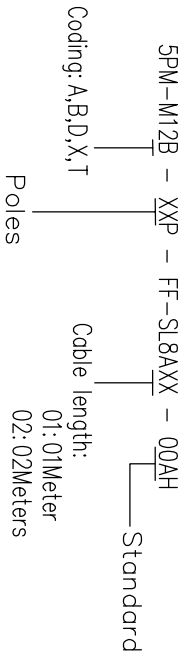
SIZE: A4	SCALE: 4 : 3	CHECKED: C. LU	DATE: 08/10/2021
UNIT: mm	SHEET: 1 / 1	APPROVED: H. JIANG	DATE: 08/10/2021

PARA. NO.: SPM-M12B-XXP-FF-SL8AXX-00AH
TITLE: M12B female Plug
CUSTOMER:

Cymanu 囍字電子

NINGBO CHANGTU ELECTRONICS MANUFACTURING CO., LTD

Email: sales@cymanu.com WWW.CYMANU.COM



99:99Meters