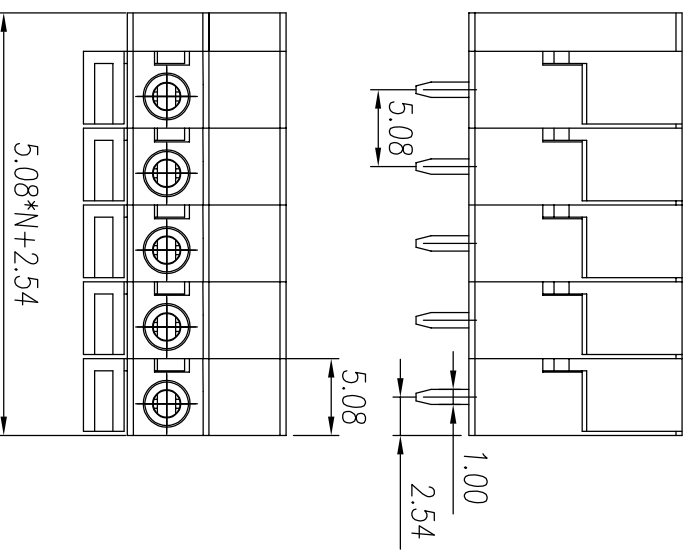
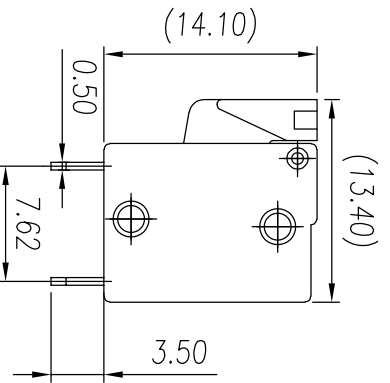
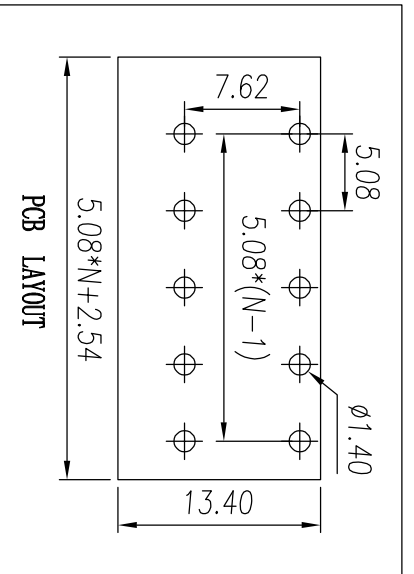
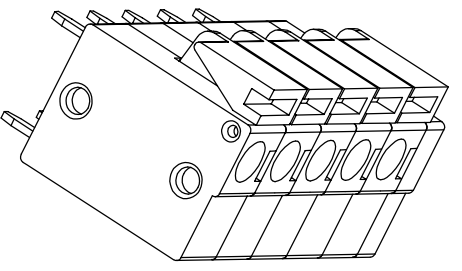


REV	ECN	SIGN	DATE	DESCRIPTION
1.0	V0	K. ZHAO	08/20/2021	



linear dimension	≡	□	∥	L
over 18 to 30	over 30 to 50	over 50 to 80	over 80 to 120	over 120 to 200
tolerance ±0.15	±0.25	±0.35	±0.45	±0.60
all	to 5	to 30	to 120	to 120
0.5	0.025	0.06	0.12	0.4

SIZE: A4	SCALE: 2:1	CHECKED: C. LU	DATE: 08/20/2021
UNIT: mm	SHEET: 1/1	APPROVED: H. JIANG	DATE: 08/20/2021

DRAMAN: K. ZHAO	DATE: 08/20/2021	PART NO.: CYE118V-508-XXP-1YY-000A
CHECKED: C. LU	DATE: 08/20/2021	TITLE: Fixed connector
APPROVED: H. JIANG	DATE: 08/20/2021	CUSTOMER:

Cymanu 囍字电子

NINGBO CHANGYU ELECTRONICS MANUFACTURING CO., LTD

Email: sales@cymanu.com WWW.CYMANU.COM

Remark: This drawing is a controlled document for Cymanu. All specifications are subject to change without prior notice.

NOTES:

1. UL Standard

Application	B	C	D
Rate voltage(V)	300	/	300
Rate current(A)	10	/	10
Rate impulse voltage(KV)	1.6		

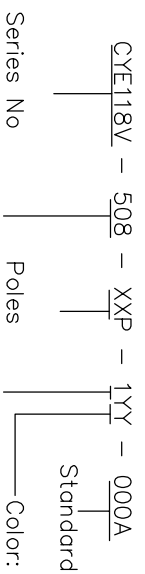
Wire range : 26 ~ 14 AWG

2. IEC Standard

Pollution degree	2	2	3
Overvoltage category	II	III	III
Rate impulse voltage(KV)	4.0	4.0	4.0
Rate voltage(V)	630	320	320
Rate current(A)	15		

Wire range : 0.2 ~ 1.5 mm²

- Pitch : 5.08 mm, Poles : N = 01~32 P
- Stripping length : 10~11mm
- Operating temperature: -40°C~+105°C
- RoHS Compliance
- Material: Housing PA66,UL94V-0
- Pin copper alloy, Sn plated



- Series No
- Pitch Single Pitch
- Color: 1Y, white
2Y, black
3Y, grey
4Y, green
5Y, blue
6Y, yellow
7Y, transparent
8Y, brown