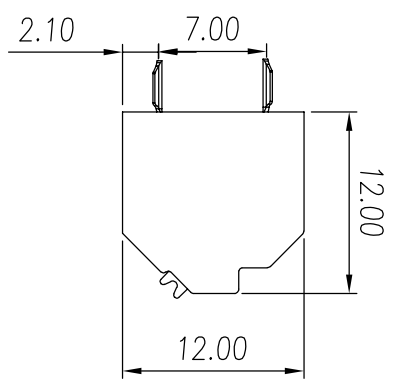
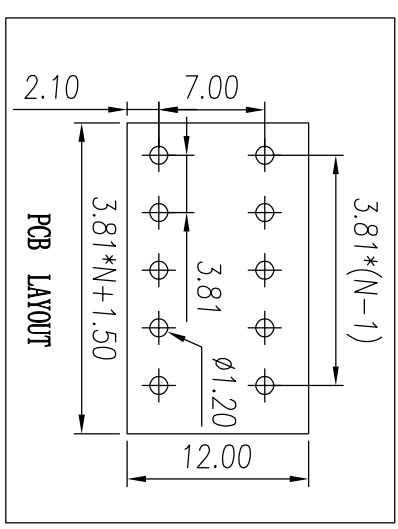
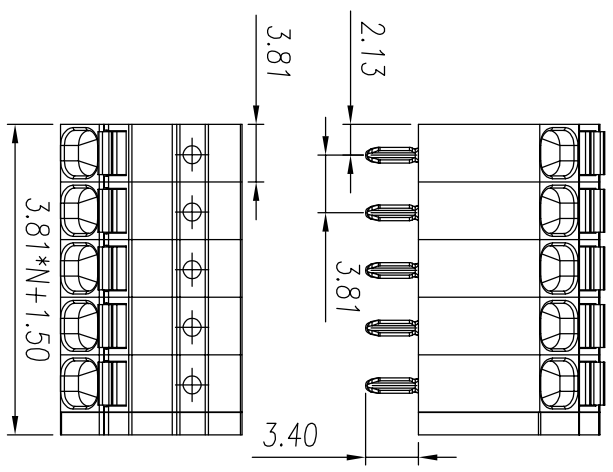
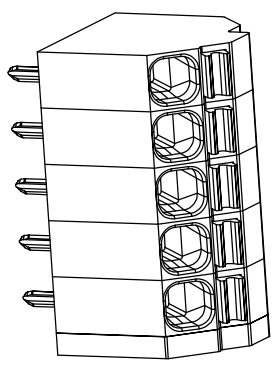


REV	ECN	SIGN	DATE	DESCRIPTION
1.0	V0	K. ZHAO	08/18/2021	



NOTES:

1. UL Standard

Application	B	C	D
Rate voltage(V)	300	/	300
Rate current(A)	10	/	10
Rate impulse voltage(KV)	1.6		

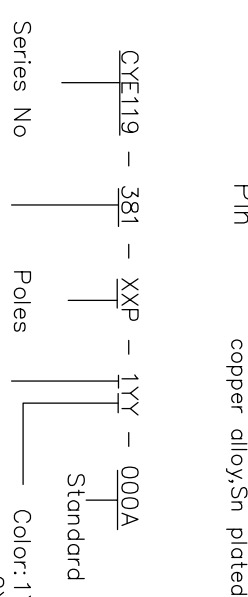
Wire range : 26 ~ 16 AWG

2. IEC Standard

Pollution degree	2	2	3
Overvoltage category	II	III	III
Rate impulse voltage(KV)	2.5	2.5	2.5
Rate voltage(V)	320	160	160
Rate current(A)	9		

Wire range : 0.2 ~ 1.5 mm²

- Pitch : 3.81 mm, Poles : N = 02~32 P
- Stripping length : 10~11mm
- Operating temperature: -40°C~+105°C
- RoHS Compliance
- Material: Housing PA66,UL94V-0
Pin copper alloy, Sn plated



- Color: 1Y, white
2Y, black
3Y, grey
4Y, green
5Y, blue
6Y, yellow
7Y, transparent
8Y, brown

Remark: This drawing is a controlled document for Cymann. All specifications are subject to change without prior notice.

linear dimension	≡	□	∥	⊥
over 18 to 30	over 30 to 50	over 50 to 80	over 80 to 120	over 120 to 160
over 160 to 200	all	to 5 to 30	over 30 to 120	over 120 to 180
tolerance ±0.15 to ±0.25	±0.35 to ±0.45	±0.60 to ±0.75	±0.90 to 0.5	0.025 to 0.06
			0.12	0.4

SIZE	SCALE	CHECKED	DATE	PART NO.
A4	2 : 1	K. ZHAO	08/18/2021	CYE119-381-XXP-1YY-000A
UNIT: mm	SHEET	APPROVED	DATE	CUSTOMER
1 / 1	1 / 1	H. JIANG	08/18/2021	Fixed connector

Cymann 囍字电子
NINGBO CHANGYU ELECTRONICS MANUFACTURING CO., LTD
Email: sales@cymann.com WWW.CYMANNU.COM