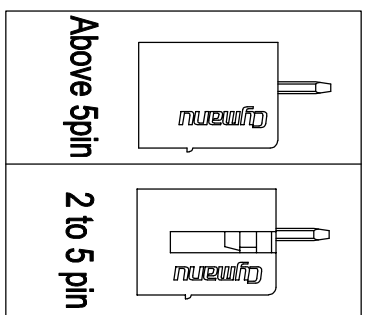
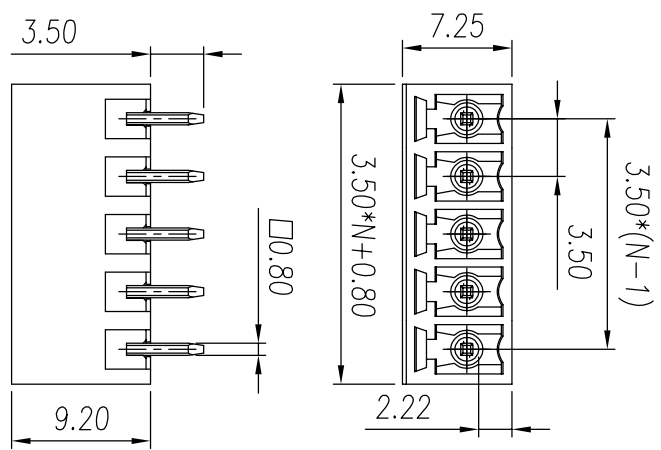
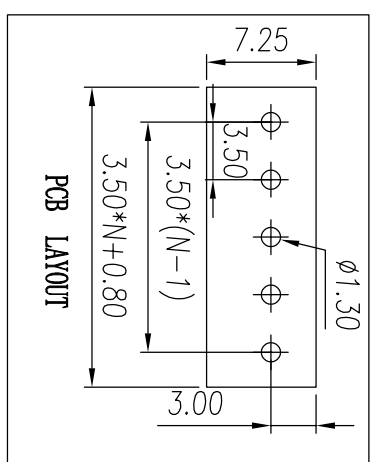


REV	ECN	SIGN	DATE	DESCRIPTION
1.0	V0	K. ZHAO	06/02/2021	



NOTES:

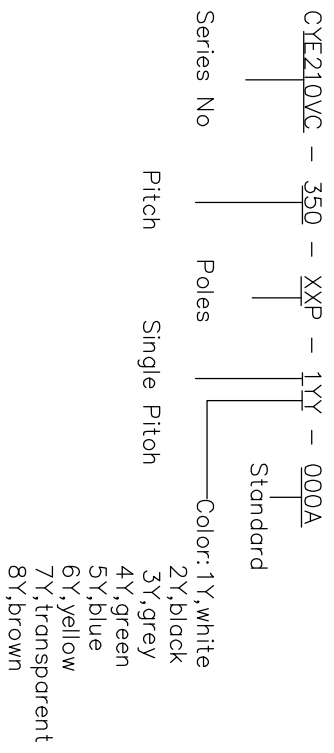
1. UL Standard

Application	B	C	D
Rate voltage(V)	300	/	300
Rate current(A)	8	/	8
Rate impulse voltage(KV)	1.6		

2. IEC Standard

Pollution degree	2	2	3
Overvoltage category	II	III	III
Rate impulse voltage(KV)	2.5	2.5	2.5
Rate voltage(V)	250	160	160
Rate current(A)	7		

3. Pitch : 3.5 mm
4. Operating temperature: $-40^{\circ}\text{C} \sim +105^{\circ}\text{C}$
5. RoHS Compliance
6. Material: Housing PA66, UL94V-0
Pin copper alloy, Sn plated



linear dimension		≡	∩	∥	⊥							
tolerance	±0.15	±0.25	±0.35	±0.45	±0.60	±0.75	±0.90	0.5	0.025	0.06	0.12	0.4
variable range	to 10	over 18 to 30	over 30 to 50	over 50 to 80	over 80 to 120	over 120 to 160	over 160 to 200	all	to 5	over 5 to 30	over 30 to 120	over 120 to

Remark: This drawing is a controlled document for Cymannu. All specifications are subject to change without prior notice.

SIZE: A4	SCALE: 2 : 1	DRAWN: K. ZHAO	CHECKED: C. LU	APPROVED: H. JIANG	DATE: 06/02/2021	PART NO.: CYE210VC-350-XXP-1YY-000A	TITLE: Plug in connector
UNIT: mm	SHEET: 1 / 1	DATE: 06/02/2021		DATE: 06/02/2021		CUSTOMER:	

NINGBO CHANGYU ELECTRONICS MANUFACTURING CO., LTD
Email: sales@cymannu.com WWW.CYMANNU.COM