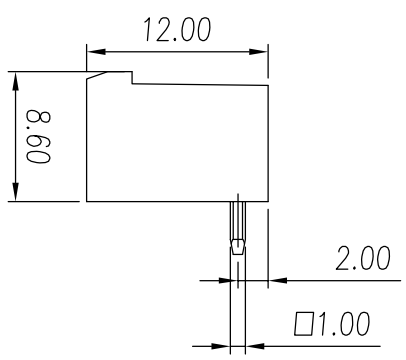
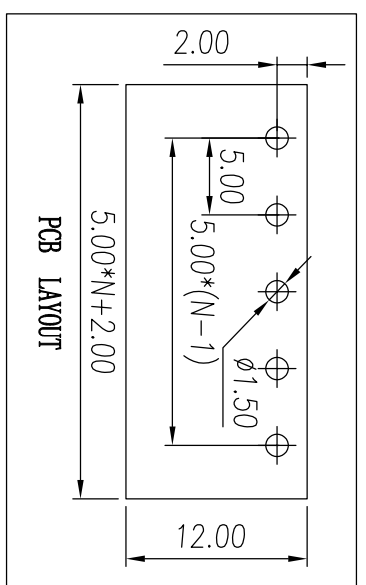
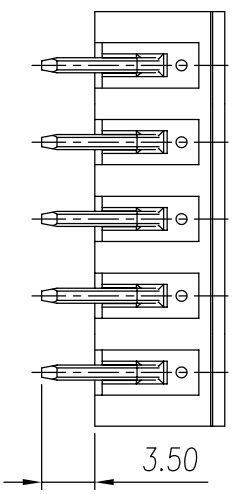
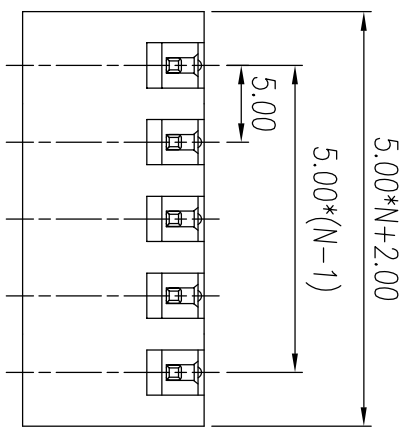
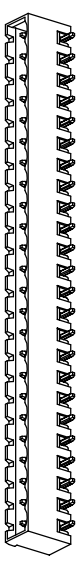


REV	ECN	SIGN	DATE	DESCRIPTION
1.0	V0	K. ZHAO	05/25/2021	



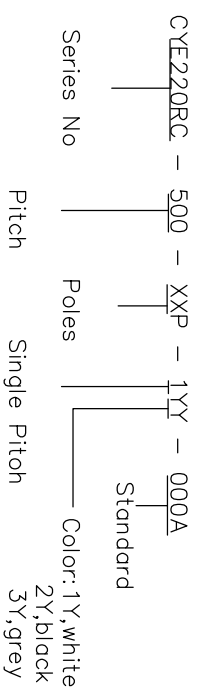
NOTES:
1. UL Standard

Application	B	C	D
Rate voltage(V)	300	/	300
Rate current(A)	12	/	10
Rate impulse voltage(KV)	1.6		

2. IEC Standard

Pollution degree	2	2	3
Overvoltage category	II	III	III
Rate impulse voltage(KV)	4	4	4
Rate voltage(V)	320	320	250
Rate current(A)	15		

- Pitch : 5.0 mm
- Operating temperature: -40°C~+105°C
- RoHS Compliance
- Material: Housing PA66,UL94V-0
Pin copper alloy,Sn plated



- Color: 1Y,white
2Y,black
3Y,gray
4Y,green
5Y,blue
6Y,yellow
7Y,transparent
8Y,brown

Remark: This drawing is a controlled document for Cymann. All specifications are subject to change without prior notice.

Linear dimension		≡	—	□	//	⊥
over	over	over	over	over	over	over
18 to 30	30 to 50	50 to 80	80 to 120	120 to 160	160 to 200	all
±0.15	±0.25	±0.35	±0.45	±0.60	±0.75	±0.90
to 10	to 30	to 50	to 80	to 120	to 160	to 200
0.5	0.025	0.025	0.06	0.12	0.12	0.4

SIZE: A4	SCALE: 2:1	CHECKED: C. LU	APPROVED: H. JIANG
UNIT: mm	SHEET: 1/1	DATE: 05/25/2021	DATE: 05/25/2021

PART NO: CYE220RC-500-XXP-1YY-000A	TITLE: Plug in connector
CUSTOMER:	

Cymann 囍字電子

NINGBO CHANGYU ELECTRONICS MANUFACTURING CO., LTD
Email: sales@cymann.com WWW.CYMANNU.COM