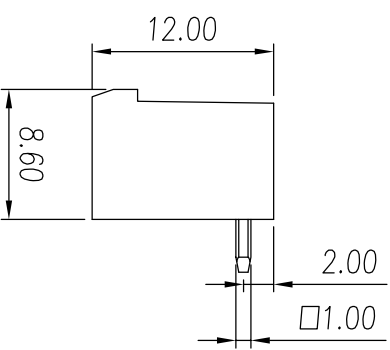
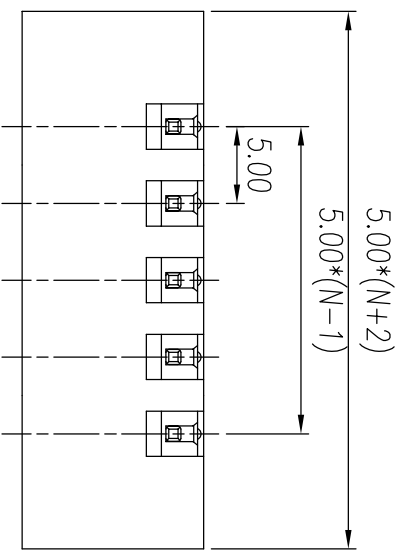
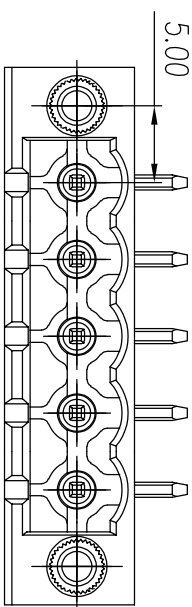
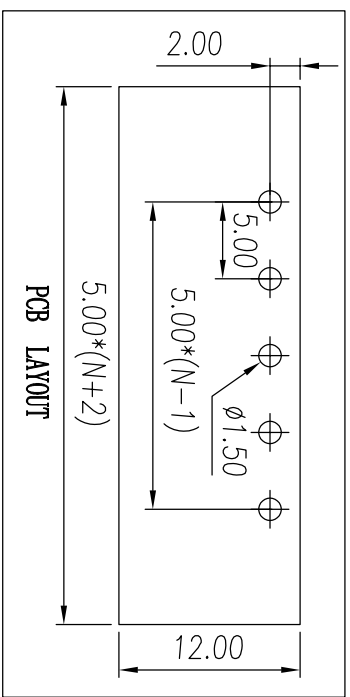


REV	ECN	SIGN	DATE	DESCRIPTION
1.0	V0	K. ZHAO	05/25/2021	



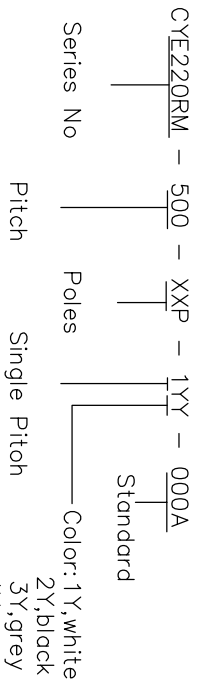
NOTES:
1. UL Standard

Application	B	C	D
Rate voltage(V)	300	/	300
Rate current(A)	12	/	10
Rate impulse voltage(KV)	1.6		

2. IEC Standard

Pollution degree	2	2	3
Overvoltage category	II	III	III
Rate impulse voltage(KV)	4	4	4
Rate voltage(V)	320	320	250
Rate current(A)	15		

- 3. Pitch : 5.0 mm
- 4. Operating temperature: -40°C~+105°C
- 5. RoHS Compliance
- 6. Material: Housing PA66,UL94V-0
Pin copper alloy,Sn plated
Nut copper alloy



- Color: 1Y, white
2Y, black
3Y, grey
4Y, green
5Y, blue
6Y, yellow
7Y, transparent
8Y, brown

Remark: This drawing is a controlled document for Cymanu. All specifications are subject to change without prior notice.

linear dimension	≡		□		//		⊥																
	over	tolerance	over	tolerance	over	tolerance	over	tolerance															
to 10	±0.15	to 18	±0.25	to 30	±0.35	to 50	±0.45	to 80	±0.60	to 120	±0.75	to 160	±0.90	to 200	0.5	to 5	0.025	to 5	0.06	to 30	0.12	to 120	0.4

SIZE: A4	SCALE: 2:1	DRAWN: K. ZHAO	CHECKED: C. LU	DATE: 05/25/2021
UNIT: mm	SHEET: 1/1	APPROVED: H. JIANG	DATE: 05/25/2021	

PART NO: CYE220RM-500-XXP-1YY-000A	TITLE: Plug in connector
CUSTOMER:	

Cymanu 矽宇電子
NINGBO CHANGU ELECTRONICS MANUFACTURING CO., LTD
Email: sales@cymanu.com WWW.CYMANU.COM