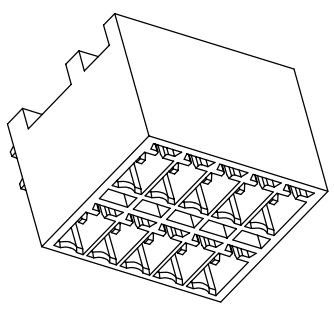
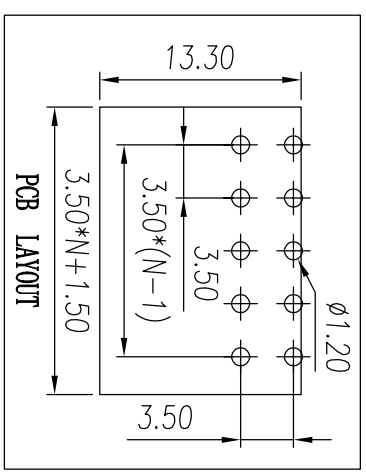
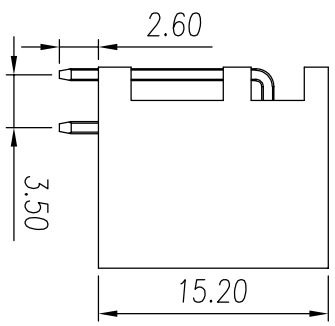
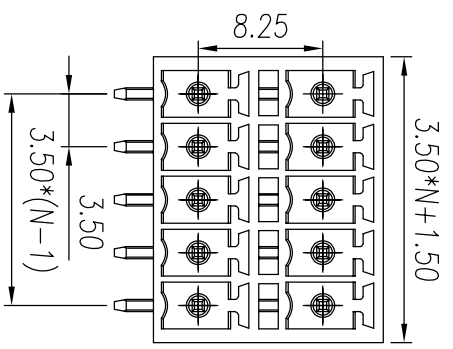
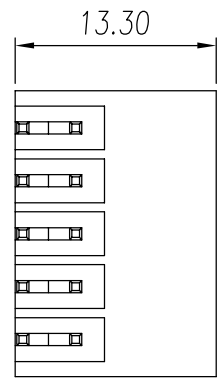


REV	ECN	SIGN	DATE	DESCRIPTION
1.0	V0	K. ZHAO	08/23/2021	



NOTES:

1. UL Standard

Application	B	C	D
Rate voltage(V)	300	/	300
Rate current(A)	8	/	8
Rate impulse voltage(KV)	1.6		

2. IEC Standard

Pollution degree	2	2	3
Overvoltage category	II	III	III
Rate impulse voltage(KV)	2.5	2.5	2.5
Rate voltage(V)	250	160	160
Rate current(A)	8		

- 3. Pitch : 3.5 mm
- 4. Operating temperature: -40°C~+105°C
- 5. RoHS Compliance
- 6. Material: Housing LCP, UL94V-0  
Pin copper alloy, Sn plated

CYE215RC - 350 - XXP - 1YY - 000A

Series No      Poles      Single Pitch      Standard

- Color: 1Y, white  
2Y, black  
3Y, grey  
4Y, green  
5Y, blue  
6Y, yellow  
7Y, transparent  
8Y, brown

Remark: This drawing is a controlled document for Cymann. All specifications are subject to change without prior notice.

		linear dimension						≡		□		//		⊥			
variable range	to 10	over 18 to 30	over 30 to 50	over 50 to 80	over 80 to 120	over 120 to 160	over 160 to 200	all	to 5	over 5 to 30	over 30 to 120	over 120 to	0.5	0.025	0.06	0.12	0.4
tolerance	±0.15	±0.25	±0.35	±0.45	±0.60	±0.75	±0.90										

SIZE: A4	SCALE: 2 : 1	DRAWN: K. ZHAO	DATE: 08/23/2021	PART NO: CYE215RC-350-XXP-1YY-000A
UNIT: mm	SHEET: 1 / 1	CHECKED: C. LU	DATE: 08/23/2021	TITLE: Plug in connector
		APPROVED: H. JIANG	DATE: 08/23/2021	CUSTOMER:

**Cymann** 矽宇電子

NINGBO CHANGYU ELECTRONICS MANUFACTURING CO., LTD  
Email: sales@cymann.com      WWW.CYMANNU.COM