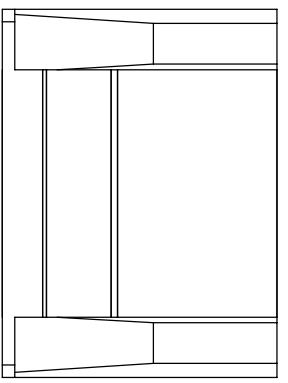
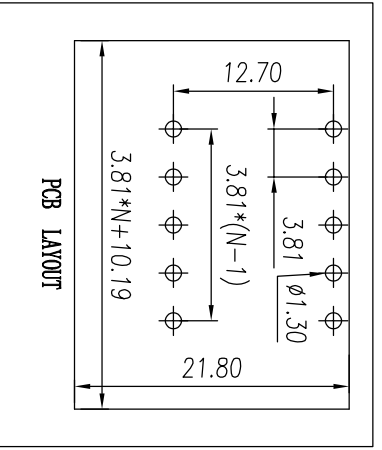
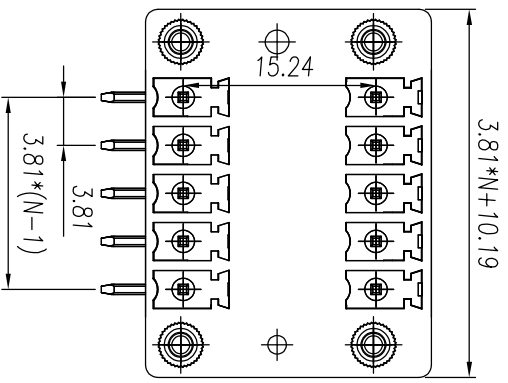
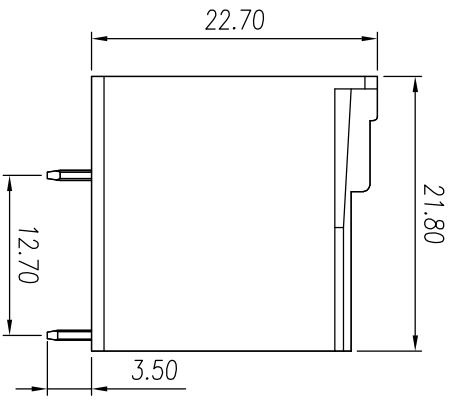
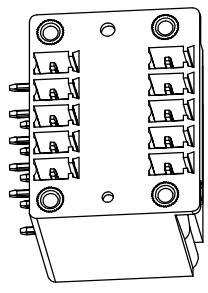


REV	ECN	SIGN	DATE	DESCRIPTION
1.0	V0	K. ZHAO	08/23/2021	



NOTES:
1. UL Standard

Application	B	C	D
Rate voltage(V)	300	/	300
Rate current(A)	8	/	8
Rate impulse voltage(KV)	1.6		

2. IEC Standard

Pollution degree	2	2	3
Overvoltage category	II	III	III
Rate impulse voltage(KV)	2.5	2.5	2.5
Rate voltage(V)	320	160	160
Rate current(A)	7		

- Pitch : 3.81 mm
- Operating temperature: -40°C~+105°C
- RoHS Compliance
- Material: Housing PA66,UL94V-0
Pin copper alloy,Sn plated

CYE210RHM - 381 - XXP - 1YY - 000A
Series No Poles Single Pitch Standard
Pitch Color: 1Y,white
2Y,black
3Y,grey
4Y,green
5Y,blue
6Y,yellow
7Y,transparent
8Y,brown

Remark: This drawing is a controlled document for Cymannu. All specifications are subject to change without prior notice.

tolerance	linear dimension										≡	—	□	//	⊥
	over 10 to	over 18 to 30	over 30 to 50	over 50 to 80	over 80 to 120	over 120 to 160	over 160 to 200	all 0.5 to 5	over 5 to 30	over 30 to 120					
±0.15	±0.25	±0.35	±0.45	±0.60	±0.75	±0.90	0.025	0.06	0.12	0.4					

SIZE: A4	SCALE: 5 : 3	CHECKED: C. LU	APPROVED: H. JIANG	DATE: 08/23/2021	DATE: 08/23/2021	DATE: 08/23/2021
UNIT: mm	SHEET: 1 / 1	DRAWN: K. ZHAO	PART NO: CYE210RHM-381-XXP-1YY-000A	TITLE: Plug in connector	CUSTOMER:	

NINGBO CHANGYU ELECTRONICS MANUFACTURING CO., LTD
Email: sales@cymannu.com WWW.CYMANNU.COM

