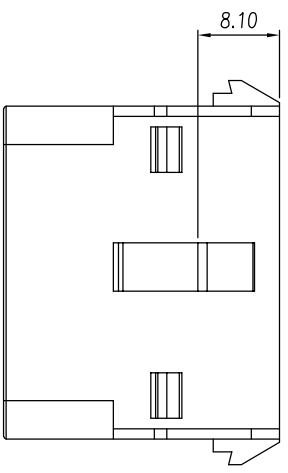
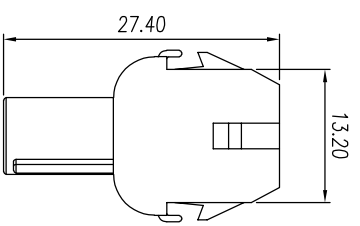
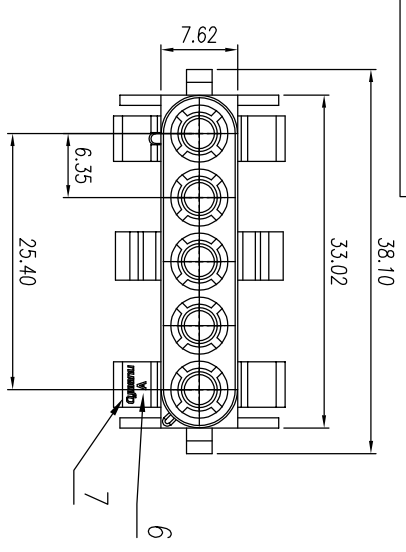
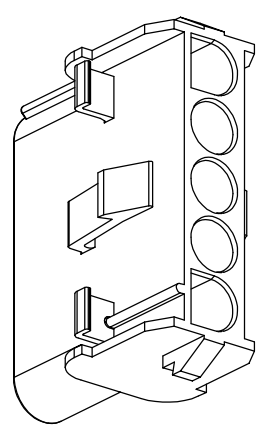
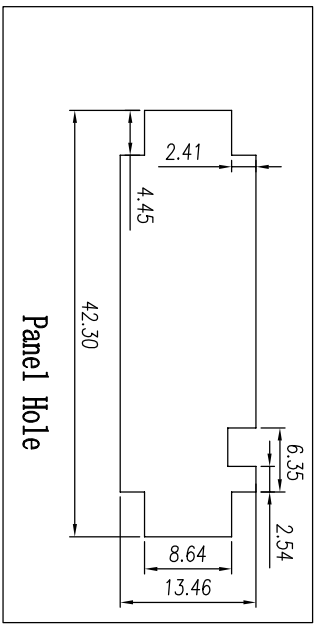


REV	ECN	SIGN	DATE	DESCRIPTION
1.0	V0	K. ZHAO	12/16/2021	



NOTES:

- 1.Pitch : 6.35 mm, Poles : N= 05 P
- 2.Operating temperature: -40°C~+105°C
- 3.RoHS Compliance
- 4.Material: Housing Halogen free PA66,UL94V-0
- 5.Applicable Panel:Panel Hole  
Panel Thickness t=1.0~2.3
- 6.Movlp Cavity-Marking
- 7.Company Logo

43010805YY10A  
Standard

Series No  
Color: 1Y, white  
2Y, black  
3Y, grey  
4Y, green  
5Y, blue  
6Y, yellow  
7Y, transparent  
8Y, brown

Remark: This drawing is a controlled document for Cymannu. All specifications are subject to change without prior notice.

tolerance	linear dimension											
	±0.15	±0.25	±0.35	±0.45	±0.60	±0.75	±0.90	0.5	0.025	0.06	0.12	0.4
variable range	to 10	over 18 to 30	over 30 to 50	over 50 to 80	over 80 to 120	over 120 to 160	over 160 to 200	all	to 5	over 5 to 30	over 30 to 120	over 120 to

SIZE: A4	SCALE: 4:3	CHECKED: C. LU	DATE: 12/16/2021
UNIT: mm	SHEET: 1 / 1	APPROVED: H. JIANG	DATE: 12/16/2021

PARA. NO: 43010805YY10A	DATE: 12/16/2021
TITLE: Connector sheath	DATE: 12/16/2021
CUSTOMER:	

**Cymannu** 矽宇電子  
NINGBO CHANGTU ELECTRONICS MANUFACTURING CO., LTD  
Email: sales@cymannu.com WWW.CYMANNU.COM