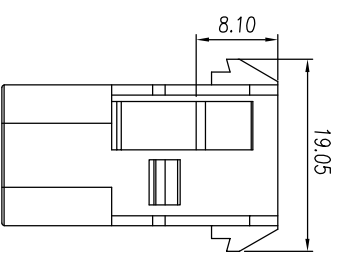
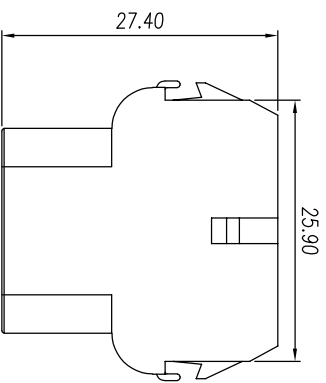
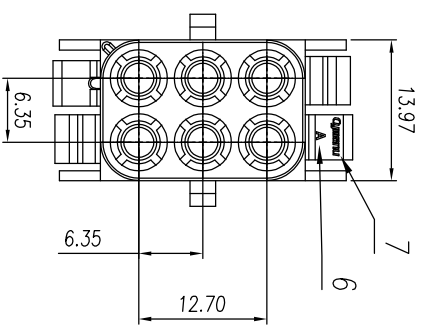
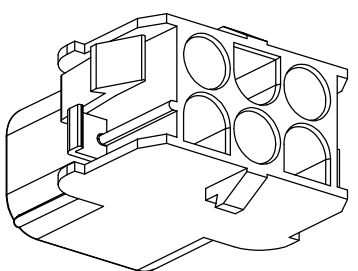
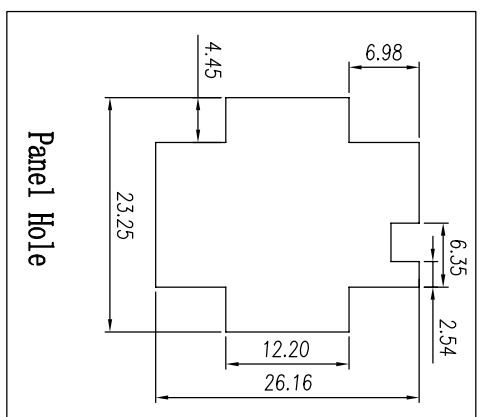


REV	ECN	SIGN	DATE	DESCRIPTION
1.0	V0	K. ZHAO	12/25/2021	



NOTES:

- 1.Pitch : 6.35 mm, Poles : N= 06 P
- 2.Operating temperature: -40°C~+105°C
- 3.RoHS Compliance
- 4.Material: Housing Halogen free PA66,UL94V-0
- 5.Applicable Panel:Panel Hole  
Panel Thickness t=1.0~2.3
- 6.Movlp Cavity-Marking
- 7.Company Logo

43010806HYY10A Standard

Series No  
Color: 1Y, white  
2Y, black  
3Y, grey  
4Y, green  
5Y, blue  
6Y, yellow  
7Y, transparent  
8Y, brown

Remark: This drawing is a controlled document for Cymannu. All specifications are subject to change without prior notice.

tolerance	linear dimension						≡	—	□	//	⊥	
	over	over	over	over	over	over						
variable range	18 to 30	30 to 50	50 to 80	80 to 120	120 to 160	160 to 200	all	to 5	over 5 to 30	over 30 to 120	over 120 to	
	±0.15	±0.25	±0.35	±0.45	±0.60	±0.75	±0.90	0.5	0.025	0.06	0.12	0.4

SIZE: A4	SCALE: 4:3	CHECKED: C. LU	DATE: 12/25/2021	DRAWN: K. ZHAO	DATE: 12/25/2021	PART NO.: 43010806HYY10A
UNIT: mm	SHEET: 1/1	APPROVED: H. JIANG	DATE: 12/25/2021			TITLE: Connector sheath
CUSTOMER:						

**Cymannu** 囍字電子  
NINGBO CHANGTU ELECTRONICS MANUFACTURING CO., LTD  
Email: sales@cymannu.com WWW.CYMANNU.COM