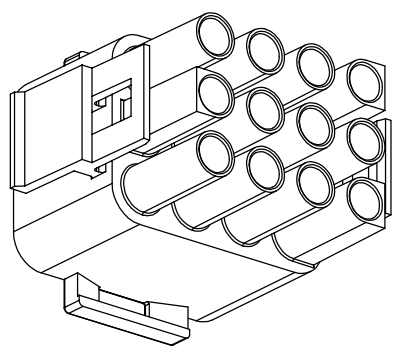
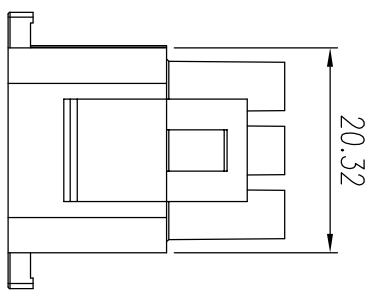


REV	ECN	SIGN	DATE	DESCRIPTION
1.0	V0	K. ZHAO	12/17/2021	



NOTES:

1. Pitch : 6.35 mm, Poles : N=04\*3 P
2. Operating temperature: -40°C~+105°C
3. RoHS Compliance
4. Material: Housing PA66, UL94V-0

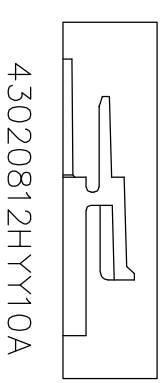
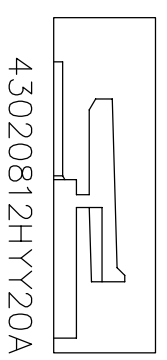
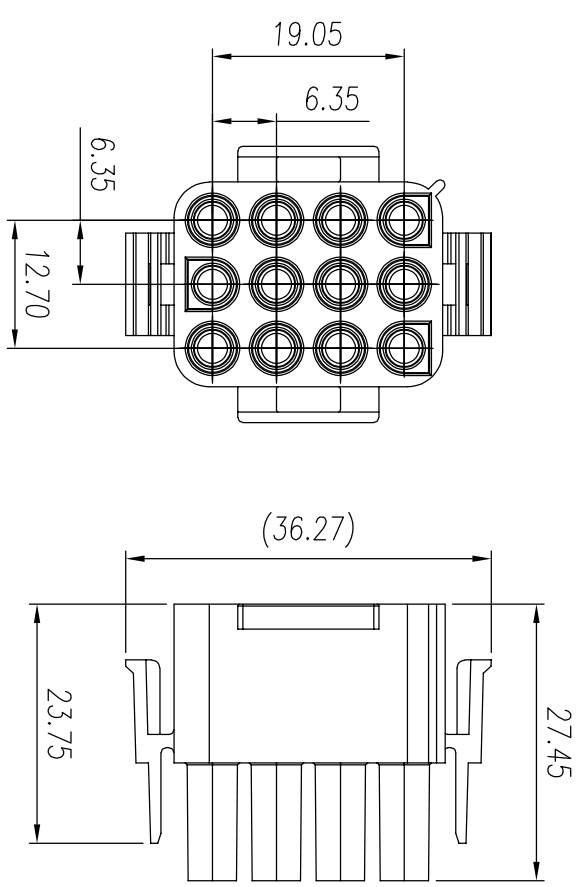
43020812HYY10A

Standard

Series No

Color: 1Y, white

- 2Y, black
- 3Y, grey
- 4Y, green
- 5Y, blue
- 6Y, yellow
- 7Y, transparent
- 8Y, brown



Remark: This drawing is a controlled document for Cymannu. All specifications are subject to change without prior notice.

linear dimension	over 18 to 30	over 30 to 50	over 50 to 80	over 80 to 120	over 120 to 160	over 160 to 200	all	to 5	over 5 to 30	over 30 to 120		
tolerance	±0.15	±0.25	±0.35	±0.45	±0.60	±0.75	±0.90	0.5	0.025	0.06	0.12	0.4

SIZE: A4	SCALE: 4:3	CHECKED: C. LU	DATE: 12/17/2021	PART NO.: 43020812HYY10A
UNIT: mm	SHEET: 1/1	APPROVED: H. JIANG	DATE: 12/17/2021	TITLE: Connector sheath

NINGBO CHANGTU ELECTRONICS MANUFACTURING CO., LTD  
 Email: sales@cymannu.com      WWW.CYMANNU.COM