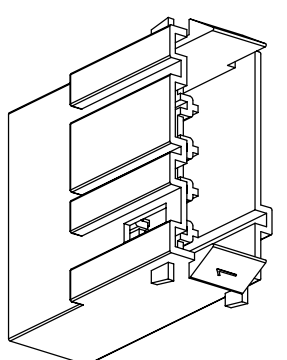
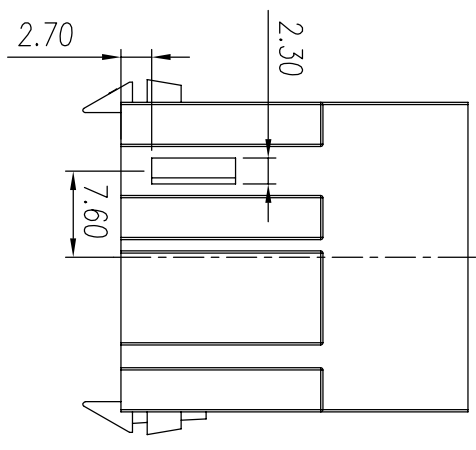
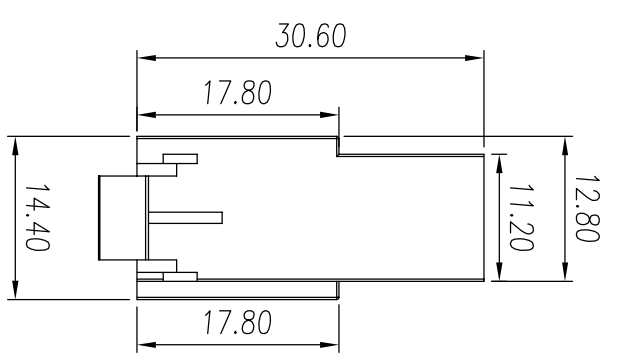
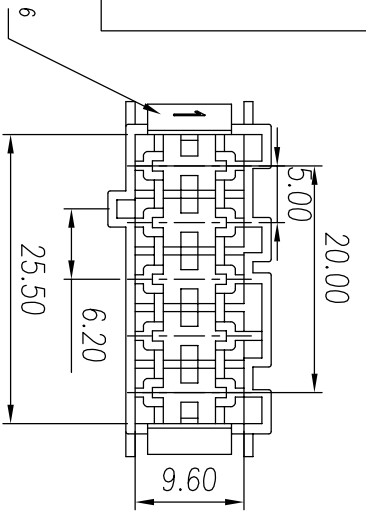
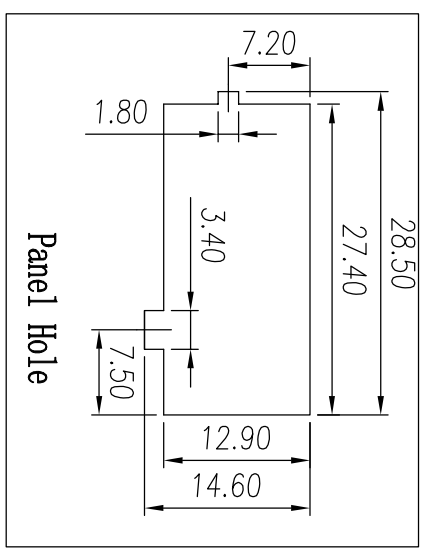


REV	ECN	SIGN	DATE	DESCRIPTION
1.0	V0	K. ZHAO	06/10/2021	



- NOTES:
1. Pitch : 5.0 mm, Poles : N=05 P
 2. Operating temperature: -40°C~+105°C
 3. RoHS Compliance
 4. Material: Housing PA66, UL94V-0
 5. Applicable Panel: Panel Hole
Panel Thickness t=1.0~1.3
 6. Mouv Cavity-Marking

33010505YY10A
Series No _____ Standard

- Color: 1Y, white
2Y, black
3Y, grey
4Y, green
5Y, blue
6Y, yellow
7Y, transparent
8Y, brown

Remark: This drawing is a controlled document for Cymannu. All specifications are subject to change without prior notice.

linear dimension	≡	—	□	//	⊥
over 18 to 30	over 50 to 80	over 120 to 160	over 160 to 200	all 5 to 30	over 5 to 30
over 30 to 50	over 80 to 120	over 160 to 200	all 5 to 30	over 5 to 30	over 30 to 120
tolerance ±0.15	±0.25	±0.35	±0.45	±0.60	±0.75
0.5	0.025	0.06	0.12	0.4	

SIZE	SCALE	CHECKED	DATE	DATE	DATE
A4	3 : 2	C. LU	06/10/2021	06/10/2021	06/10/2021
UNIT: mm	SHEET: 1 / 1	APPROVED: H. JIANG			

Cymannu 囍字电子

 NINGBO CHANGTU ELECTRONICS MANUFACTURING CO., LTD

 Email: sales@cymannu.com WWW.CYMANNU.COM