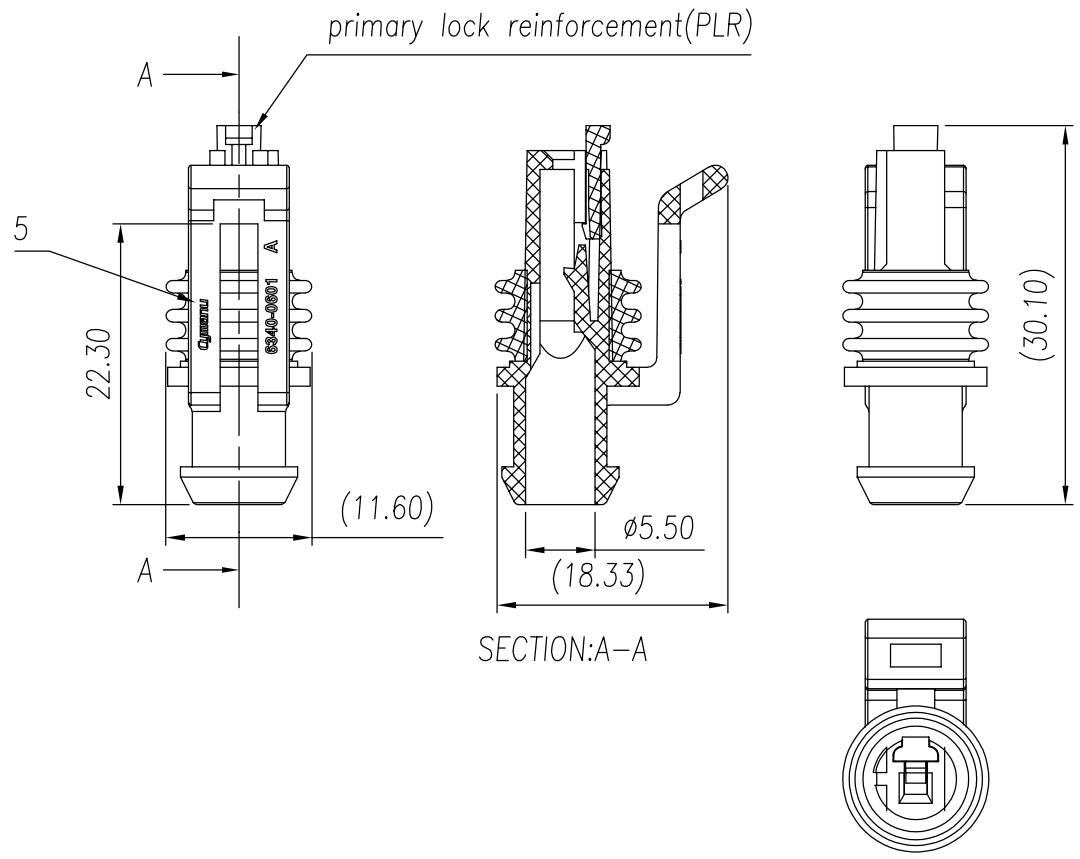


| REV | ECN | SIGN | DATE | DESCRIPTION |
|-----|-----|---------|------------|-------------|
| 1.0 | V0 | K. ZHAO | 09/06/2022 | |



NOTES:

1. Poles : N= 01 P
- 2.Operating temperature: -40°C~+125°C
- 3.RoHS Compliance
- 4.Material:
 - Housing Halogen free PA66-GF,UL94V-0
 - PLR Halogen free PA66-GF,UL94V-0
 - Sealing Silica gel

5.Company Logo

63400601YY10B

Series No | Color: 1Y,white
2Y,black
3Y,gre
4Y,green
5Y,blue
6Y,yellow
7Y,transparent
8Y,brown

Standard

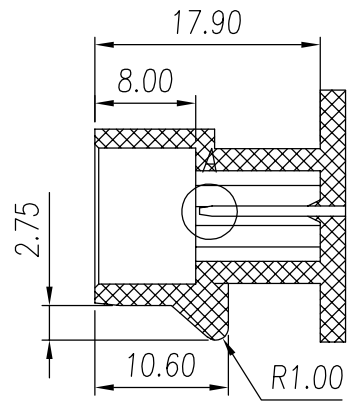
| variable range | linear dimension | | | | | | | ≡ | — | □ | // | ⊥ |
|----------------|------------------|---------------|---------------|---------------|----------------|-----------------|-----------------|-----|-------|------|------|-----|
| | to 10 | over 18 to 30 | over 30 to 50 | over 50 to 80 | over 80 to 120 | over 120 to 160 | over 160 to 200 | | | | | |
| tolerance | ±0.15 | ±0.25 | ±0.35 | ±0.45 | ±0.60 | ±0.75 | ±0.90 | 0.5 | 0.025 | 0.06 | 0.12 | 0.4 |

Remark: This drawing is a controlled document for Cymanu. All specifications are subject to change without prior notice.

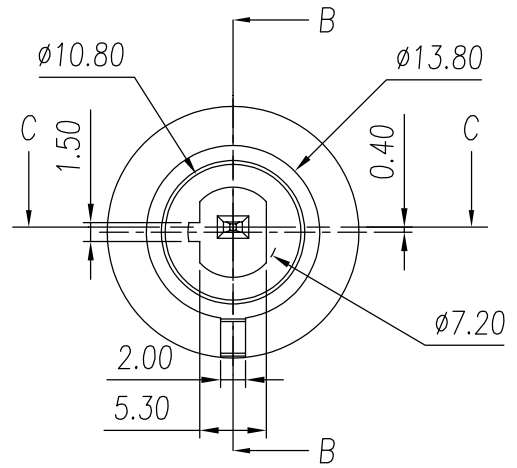
| | | | |
|--|--|----------------------------------|---|
| | DRAWN: K. ZHAO DATE: 09/06/2022 | PART NO: 63400601YY10B | <p>NINGBO CHANGYU ELECTRONICS MANUFACTURING CO., LTD Email: sales@cymanu.com WWW.CYMANU.COM</p> |
| CHECKED: C. LU DATE: 09/06/2022 | TITLE: Connector sheath | | |
| APPROVED: H. JIANG DATE: 09/06/2022 | CUSTOMER: | | |

| REV | ECN | SIGN | DATE | DESCRIPTION |
|-----|-----|---------|------------|-------------|
| 1.0 | V0 | K. ZHAO | 09/06/2022 | |

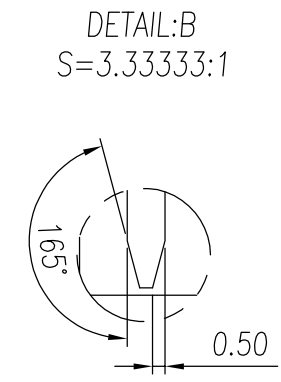
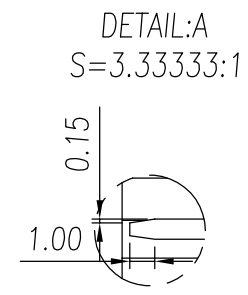
COUNTERPART DETAILS



SECTION: B-B



SECTION: C-C





NOTES:

- 1. Material:
 - Housing PA66-GF
 - Pin copper alloy, Sn plated

| variable range | linear dimension | | | | | | | ≡ | — | □ | // | ⊥ |
|----------------|------------------|---------------|---------------|---------------|----------------|-----------------|-----------------|-----|-------|------|------|-----|
| | to 10 | over 18 to 30 | over 30 to 50 | over 50 to 80 | over 80 to 120 | over 120 to 160 | over 160 to 200 | | | | | |
| tolerance | ±0.15 | ±0.25 | ±0.35 | ±0.45 | ±0.60 | ±0.75 | ±0.90 | 0.5 | 0.025 | 0.06 | 0.12 | 0.4 |

Remark: This drawing is a controlled document for Cymanu. All specifications are subject to change without prior notice.

| | | | | | |
|---|------------------------------|--|--|--|--|
|  SIZE: A4 UNIT: mm | SCALE: 5 : 3 SHEET: 2 / 2 | DRAWN: K. ZHAO CHECKED: C. LU APPROVED: H. JIANG | DATE: 09/06/2022 DATE: 09/06/2022 DATE: 09/06/2022 | PART NO: 63400601YY10B TITLE: Connector sheath CUSTOMER: |  NINGBO CHANGYU ELECTRONICS MANUFACTURING CO., LTD Email: sales@cymanu.com WWW.CYMANU.COM |
|---|------------------------------|--|--|--|--|