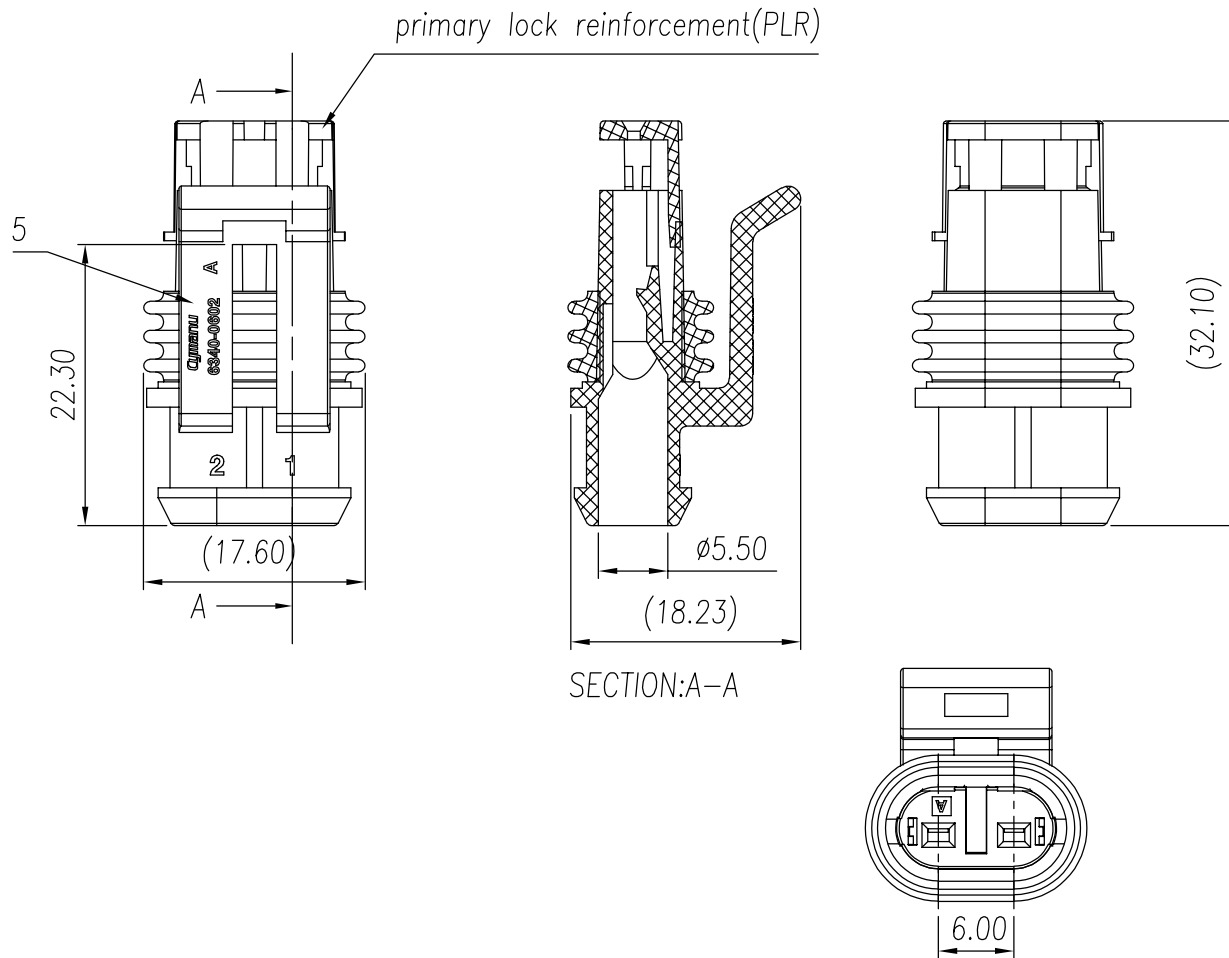


REV	ECN	SIGN	DATE	DESCRIPTION
1.0	V0	K. ZHAO	09/06/2022	



NOTES:

1. Poles : N= 02 P
2. Operating temperature: -40°C~+125°C
3. RoHS Compliance
4. Material:

Housing Halogen free PA66-GF,UL94V-0  
 PLR Halogen free PA66-GF,UL94V-0  
 Sealing Silica gel

5. Company Logo

63400602YY10B Standard

Series No

Color: 1Y,white  
 2Y,black  
 3Y,gre  
 4Y,green  
 5Y,blue  
 6Y,yellow  
 7Y,transparent  
 8Y,brown

variable range	linear dimension							≡	—	□	//	⊥
	to 10	over 18 to 30	over 30 to 50	over 50 to 80	over 80 to 120	over 120 to 160	over 160 to 200					
tolerance	±0.15	±0.25	±0.35	±0.45	±0.60	±0.75	±0.90	0.5	0.025	0.06	0.12	0.4

Remark: This drawing is a controlled document for Cymanu. All specifications are subject to change without prior notice.

SIZE: A4	SCALE: 5 : 3	DRAWN: K. ZHAO	DATE: 09/06/2022	PART NO: 63400602YY10B
UNIT: mm	SHEET: 1 / 2	CHECKED: C. LU	DATE: 09/06/2022	TITLE: Connector sheath
		APPROVED: H. JIANG	DATE: 09/06/2022	CUSTOMER:

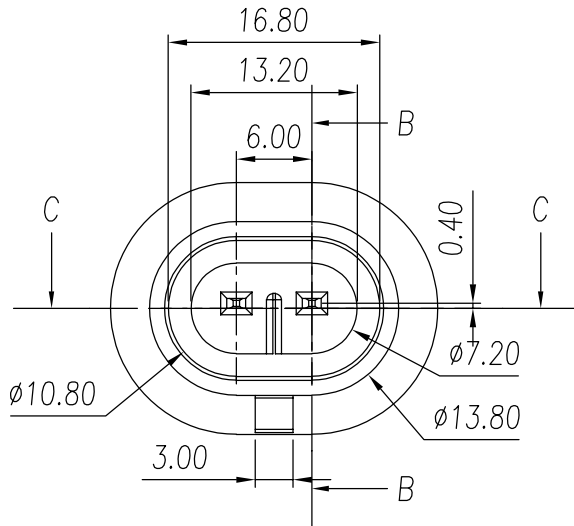
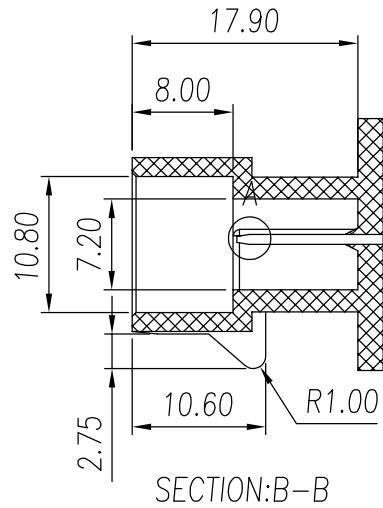
**Cymanu** 賜宇電子

NINGBO CHANGYU ELECTRONICS MANUFACTURING CO., LTD

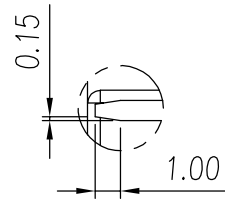
Email: sales@cymanu.com WWW.CYMANU.COM

REV	ECN	SIGN	DATE	DESCRIPTION
1.0	V0	K. ZHAO	09/09/2022	

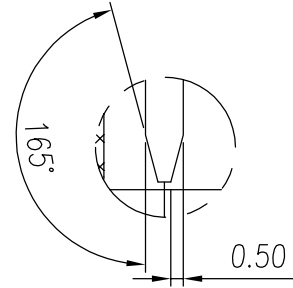
# COUNTERPART DETAILS



DETAIL:A  
S=3.33333:1



DETAIL:B  
S=3.33333:1



NOTES:

- 1. Material:
  - Housing PA66-GF
  - Pin copper alloy, Sn plated

SECTION: C-C

variable range	linear dimension							≡	—	□	//	⊥
	to 10	over 18 to 30	over 30 to 50	over 50 to 80	over 80 to 120	over 120 to 160	over 160 to 200					
tolerance	±0.15	±0.25	±0.35	±0.45	±0.60	±0.75	±0.90	0.5	0.025	0.06	0.12	0.4

Remark: This drawing is a controlled document for Cymanu. All specifications are subject to change without prior notice.

		DRAWN: <b>K. ZHAO</b>	DATE: <b>09/06/2022</b>	PART NO: <b>6340602YY10B</b>
SIZE: <b>A4</b>	SCALE: <b>5 : 3</b>	CHECKED: <b>C. LU</b>	DATE: <b>09/06/2022</b>	TITLE: <b>Connector sheath</b>
UNIT: mm	SHEET: <b>2 / 2</b>	APPROVED: <b>H. JIANG</b>	DATE: <b>09/06/2022</b>	CUSTOMER:

**Cymanu** 陽宇電子

NINGBO CHANGYU ELECTRONICS MANUFACTURING CO., LTD

Email: sales@cymanu.com WWW.CYMANU.COM