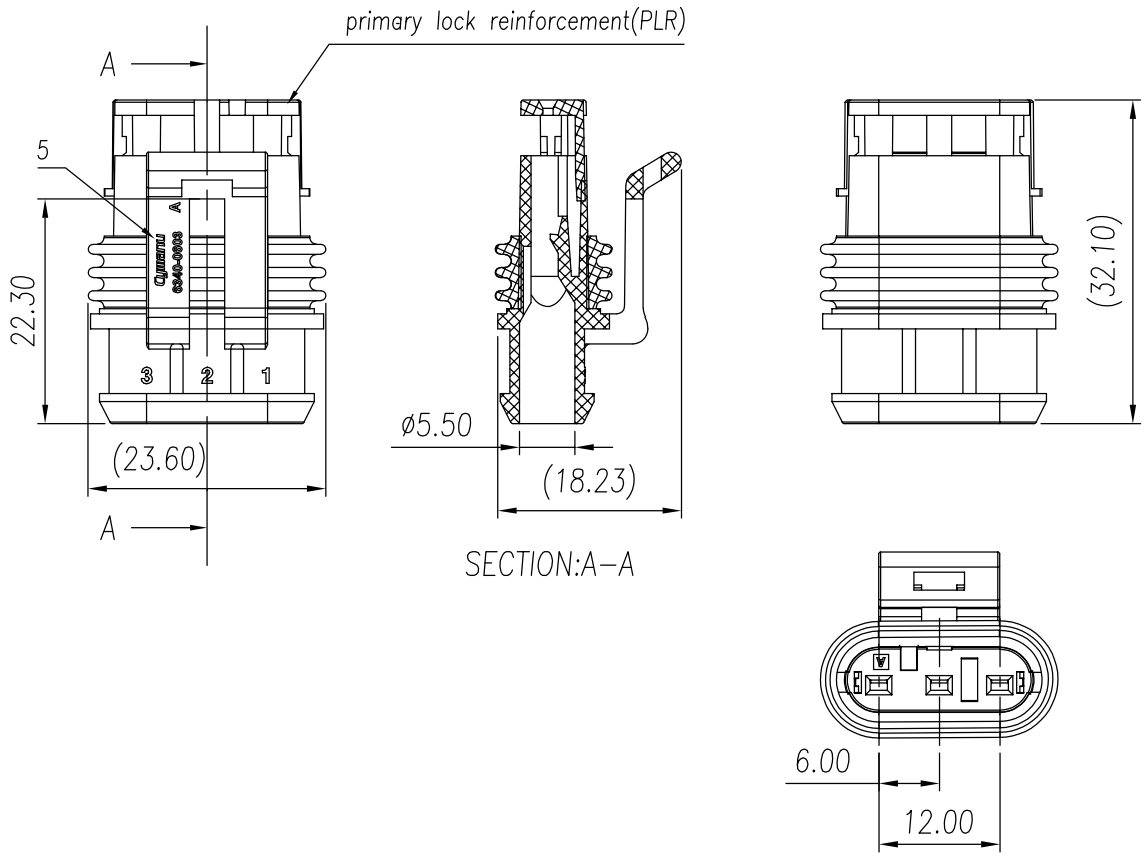


REV	ECN	SIGN	DATE	DESCRIPTION
1.0	V0	K. ZHAO	09/06/2022	



NOTES:

1. Poles : N= 03 P
2. Operating temperature: -40°C~+125°C
3. RoHS Compliance
4. Material:
 - Housing Halogen free PA66-GF,UL94V-0
 - PLR Halogen free PA66-GF,UL94V-0
 - Sealing Silica gel

5. Company Logo

63400603YY10B

Series No Standard

Color: 1Y,white
 2Y,black
 3Y,greY
 4Y,green
 5Y,blue
 6Y,yellow
 7Y,transparent
 8Y,brown

variable range	linear dimension							≡	—	□	//	⊥
	to 10	over 18 to 30	over 30 to 50	over 50 to 80	over 80 to 120	over 120 to 160	over 160 to 200					
tolerance	±0.15	±0.25	±0.35	±0.45	±0.60	±0.75	±0.90	0.5	0.025	0.06	0.12	0.4

Remark: This drawing is a controlled document for Cymanu. All specifications are subject to change without prior notice.

SIZE: A4	SCALE: 4 : 3	DRAWN: K. ZHAO	DATE: 09/06/2022	PART NO: 63400603YY10B
UNIT: mm	SHEET: 1 / 2	CHECKED: C. LU	DATE: 09/06/2022	TITLE: Connector sheath
		APPROVED: H. JIANG	DATE: 09/06/2022	CUSTOMER:

Cymanu 賜宇電子

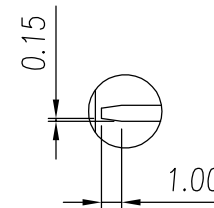
NINGBO CHANGYU ELECTRONICS MANUFACTURING CO., LTD

Email: sales@cymanu.com WWW.CYMANU.COM

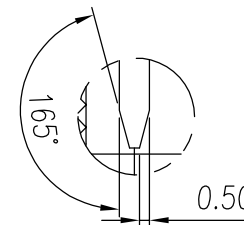
REV	ECN	SIGN	DATE	DESCRIPTION
1.0	V0	K. ZHAO	09/06/2022	

COUNTERPART DETAILS

DETAIL:B
S=2.66667:1



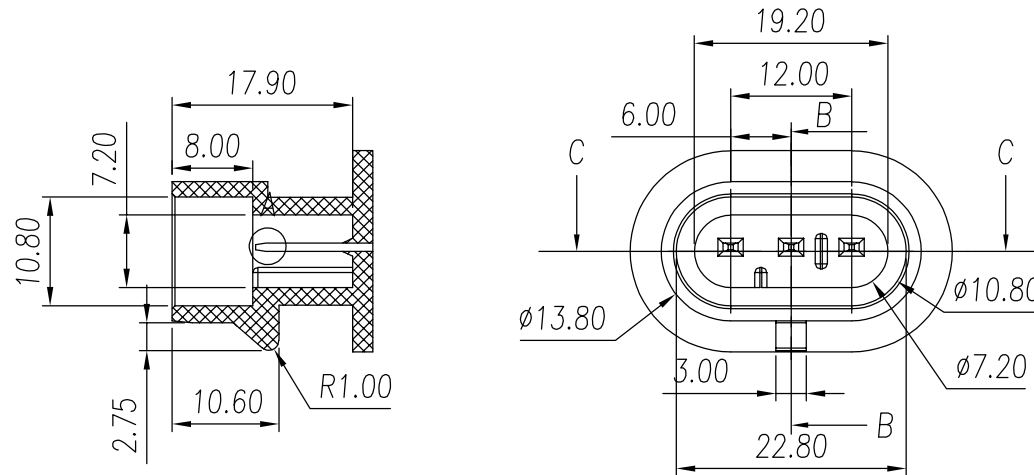
DETAIL:B
S=2.66667:1



NOTES:

1.Material:

Housing PA66-GF
Pin copper alloy, Sn plated



SECTION:B-B

SECTION:C-C

	linear dimension							≡	—	□	//	⊥
	variable range	to 10	over 18 to 30	over 30 to 50	over 50 to 80	over 80 to 120	over 120 to 160	over 160 to 200	all	to 5	over 5 to 30	over 30 to 120
tolerance	±0.15	±0.25	±0.35	±0.45	±0.60	±0.75	±0.90	0.5	0.025	0.06	0.12	0.4

Remark: This drawing is a controlled document for Cymanu. All specifications are subject to change without prior notice.

SIZE: A4	SCALE: 4 : 3	DRAWN: K. ZHAO	DATE: 09/06/2022	PART NO: 63400603YY10B
UNIT: mm	SHEET: 2 / 2	CHECKED: C. LU	DATE: 09/06/2022	TITLE: Connector sheath
		APPROVED: H. JIANG	DATE: 09/06/2022	CUSTOMER:

Cymanu 賜宇電子
NINGBO CHANGYU ELECTRONICS MANUFACTURING CO., LTD
Email: sales@cymanu.com WWW.CYMANU.COM