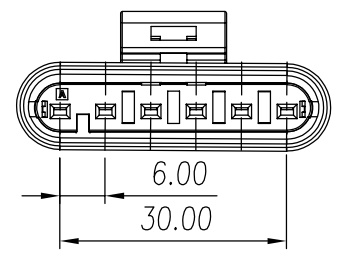
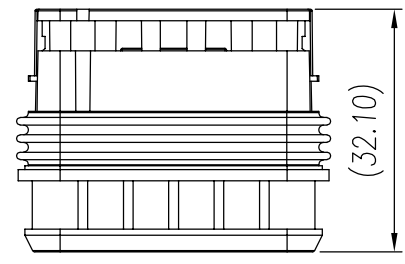
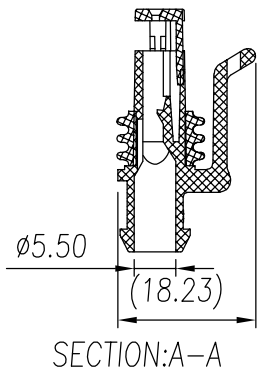
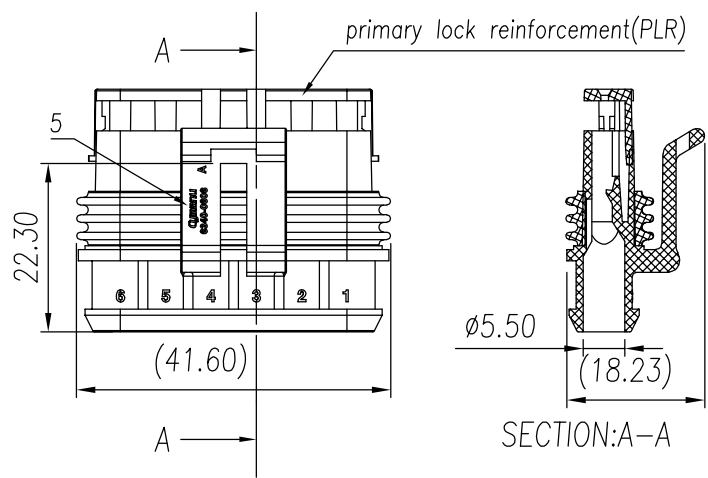


REV	ECN	SIGN	DATE	DESCRIPTION
1.0	V0	K. ZHAO	09/06/2022	



NOTES:

1. Poles : N= 06 P
2. Operating temperature: -40°C~+125°C
3. RoHS Compliance
4. Material:
  - Housing Halogen free PA66-GF,UL94V-0
  - PLR Halogen free PA66-GF,UL94V-0
  - Sealing Silica gel

5. Company Logo

63400606YY10B \_\_\_\_\_ Standard

Series No

- Color: 1Y, white  
 2Y, black  
 3Y, grey  
 4Y, green  
 5Y, blue  
 6Y, yellow  
 7Y, transparent  
 8Y, brown

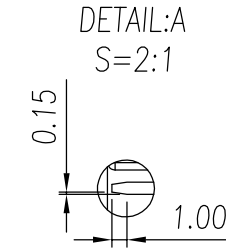
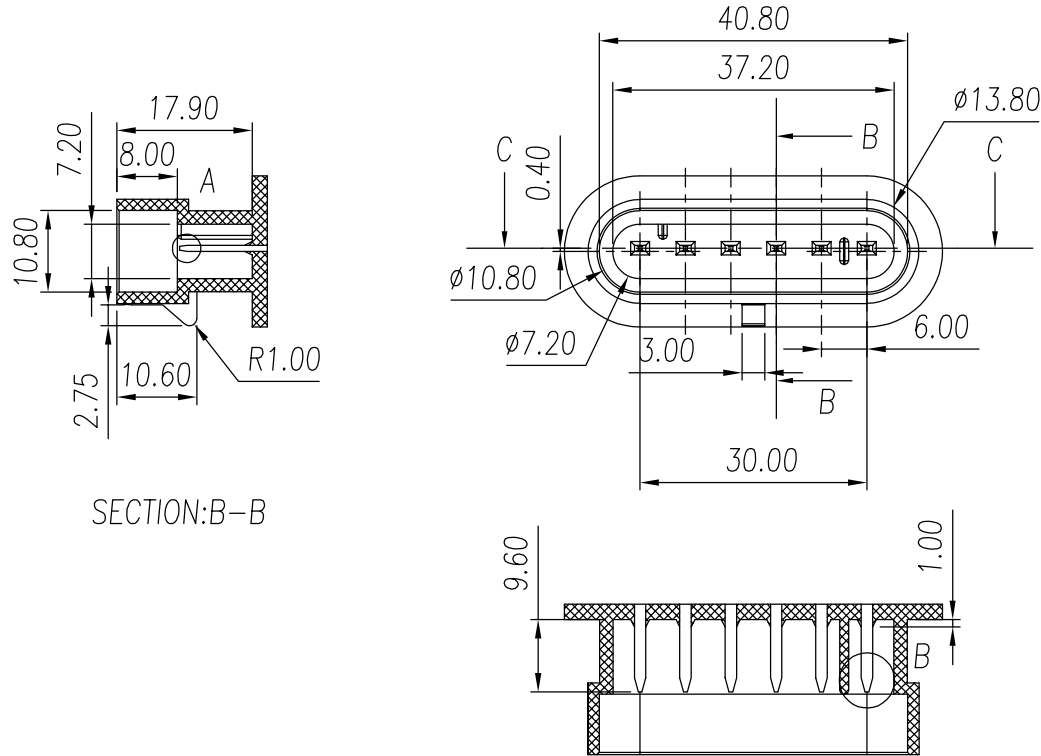
		linear dimension							≡	—	□	//	⊥
variable range	to 10	over 18 to 30	over 30 to 50	over 50 to 80	over 80 to 120	over 120 to 160	over 160 to 200	all	to 5	over 5 to 30	over 30 to 120	over 120 to	
tolerance	±0.15	±0.25	±0.35	±0.45	±0.60	±0.75	±0.90	0.5	0.025	0.06	0.12	0.4	

Remark: This drawing is a controlled document for Cymanu. All specifications are subject to change without prior notice.

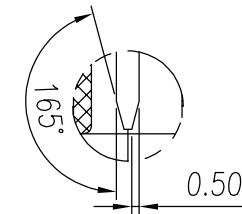
 SIZE: <b>A4</b> UNIT: mm	SCALE: <b>1 : 1</b>	DRAWN: <b>K. ZHAO</b> CHECKED: <b>C. LU</b> APPROVED: <b>H. JIANG</b>	DATE: <b>09/06/2022</b> DATE: <b>09/06/2022</b> DATE: <b>09/06/2022</b>	PART NO: <b>63400606YY10B</b> TITLE: <b>Connector sheath</b> CUSTOMER:	 NINGBO CHANGYU ELECTRONICS MANUFACTURING CO., LTD Email: sales@cymanu.com WWW.CYMANU.COM

REV	ECN	SIGN	DATE	DESCRIPTION
1.0	V0	K. ZHAO	09/06/2022	

# COUNTERPART DETAILS



DETAIL:B  
S=2:1



NOTES:

1.Material:

Housing PA66-GF

Pin copper alloy,Sn plated

SECTION:C-C

Remark: This drawing is a controlled document for Cymanu. All specifications are subject to change without prior notice.

		linear dimension							≡	-	□	//	⊥
variable range	to 10	over 18 to 30	over 30 to 50	over 50 to 80	over 80 to 120	over 120 to 160	over 160 to 200	all	to 5	over 5 to 30	over 30 to 120	over 120 to	
tolerance	±0.15	±0.25	±0.35	±0.45	±0.60	±0.75	±0.90	0.5	0.025	0.06	0.12	0.4	

SIZE: A4	SCALE: 1:1	DRAWN: K. ZHAO	DATE: 09/06/2022	PART NO: 63400606YY10B
UNIT:mm	SHEET: 2 / 2	CHECKED: C. LU	DATE: 09/06/2022	TITLE: Connector sheath
		APPROVED: H. JIANG	DATE: 09/06/2022	CUSTOMER:

**Cymanu** 賜宇電子  
NINGBO CHANGYU ELECTRONICS MANUFACTURING CO., LTD  
Email: sales@cymanu.com WWW.CYMANU.COM