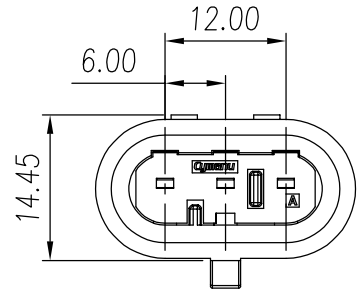


REV	ECN	SIGN	DATE	DESCRIPTION
1.0	V0	K. ZHAO	09/06/2022	

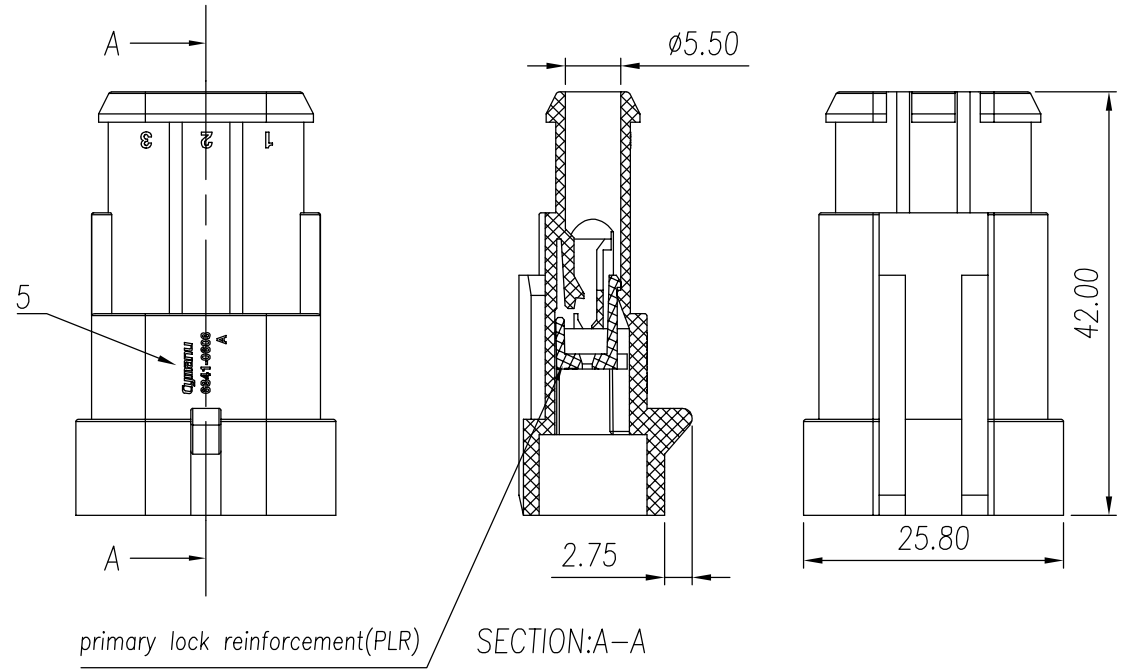


NOTES:

1. Poles : N= 03 P
2. Operating temperature: -40°C~+125°C
3. RoHS Compliance
4. Material:  
Housing Halogen free PA66-GF, UL94V-0  
PLR Halogen free PA66-GF, UL94V-0

5. Company Logo  
63410603YY10B — Standard

- Series No  
Color: 1Y, white  
2Y, black  
3Y, grey  
4Y, green  
5Y, blue  
6Y, yellow  
7Y, transparent  
8Y, brown



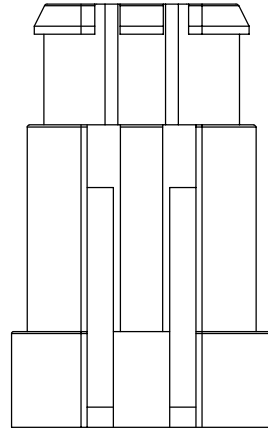
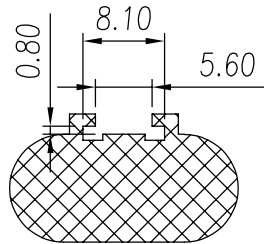
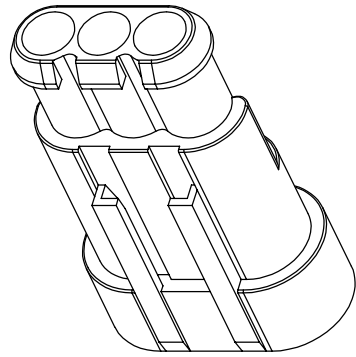
variable range	linear dimension							≡	—	□	//	⊥
	to 10	over 18 to 30	over 30 to 50	over 50 to 80	over 80 to 120	over 120 to 160	over 160 to 200					
tolerance	±0.15	±0.25	±0.35	±0.45	±0.60	±0.75	±0.90	0.5	0.025	0.06	0.12	0.4

Remark: This drawing is a controlled document for Cymanu. All specifications are subject to change without prior notice.

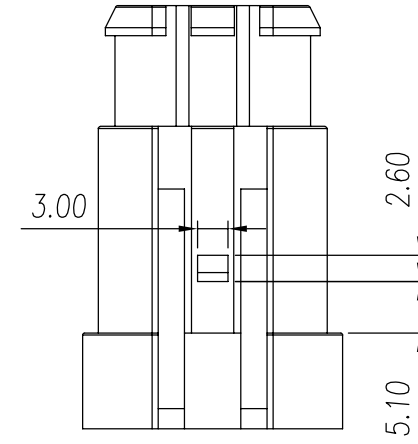
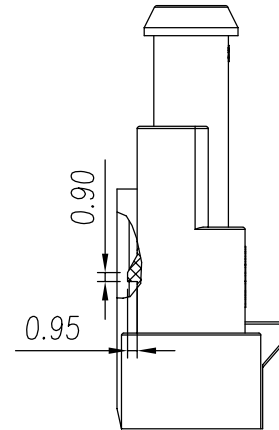
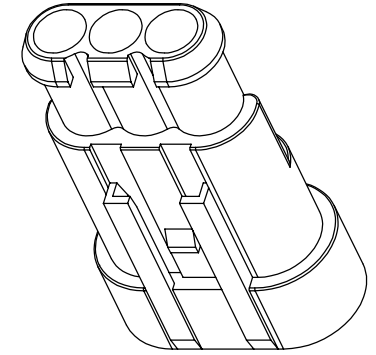
SIZE: A4	SCALE: 4 : 3	DRAWN: K. ZHAO	DATE: 09/06/2022	PART NO: 63410603YY10B
UNIT: mm	SHEET: 1 / 2	CHECKED: C. LU	DATE: 09/06/2022	TITLE: Connector sheath
		APPROVED: H. JIANG	DATE: 09/06/2022	CUSTOMER:

**Cymanu** 賜宇電子  
NINGBO CHANGYU ELECTRONICS MANUFACTURING CO., LTD  
Email: sales@cymanu.com WWW.CYMANU.COM

REV	ECN	SIGN	DATE	DESCRIPTION
1.0	V0	K. ZHAO	09/06/2022	



63410603YY11B



63410603YY12B

variable range	linear dimension							≡	—	▭	//	⊥
	to 10	over 18 to 30	over 30 to 50	over 50 to 80	over 80 to 120	over 120 to 160	over 160 to 200	all	to 5	over 5 to 30	over 30 to 120	over 120 to
tolerance	±0.15	±0.25	±0.35	±0.45	±0.60	±0.75	±0.90	0.5	0.025	0.06	0.12	0.4

Remark: This drawing is a controlled document for Cymanu. All specifications are subject to change without prior notice.

 SIZE: <b>A4</b>	 SCALE: <b>4 : 3</b>	DRAWN: <b>K. ZHAO</b> CHECKED: <b>C. LU</b>	DATE: <b>09/06/2022</b> DATE: <b>09/06/2022</b>	PART NO: <b>63410603YY10B</b> TITLE: <b>Connector sheath</b>	 <b>Cymanu</b> 賜宇電子 NINGBO CHANGYU ELECTRONICS MANUFACTURING CO., LTD Email: sales@cymanu.com WWW.CYMANU.COM
		APPROVED: <b>H. JIANG</b>	DATE: <b>09/06/2022</b>	CUSTOMER:	
UNIT: mm	SHEET: <b>2 / 2</b>				