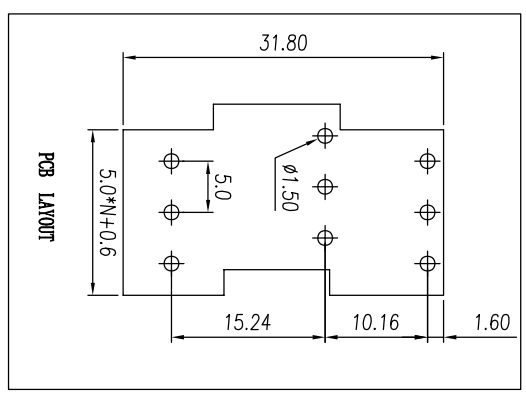
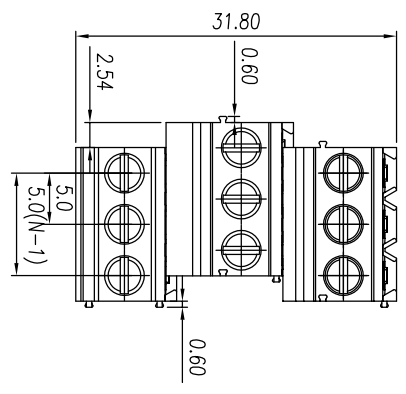
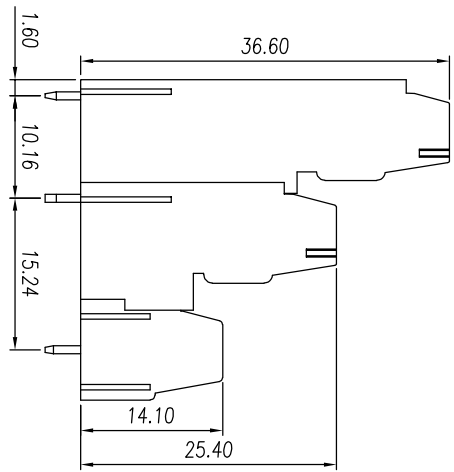
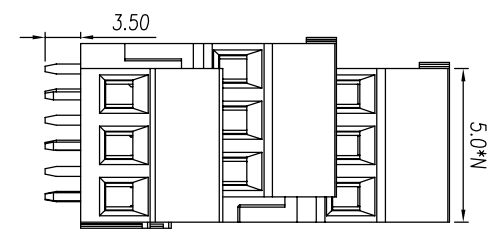
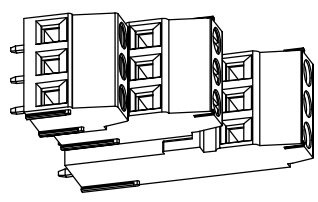


REV	ECN	SIGN	DATE	DESCRIPTION
1.0	V0	K. ZHAO	04/29/2021	



NOTES:
1. UL Standard

Application	B	C	D
Rate voltage(V)	300	/	300
Rate current(A)	16	/	10
Rate impulse voltage(KV)	1.6		

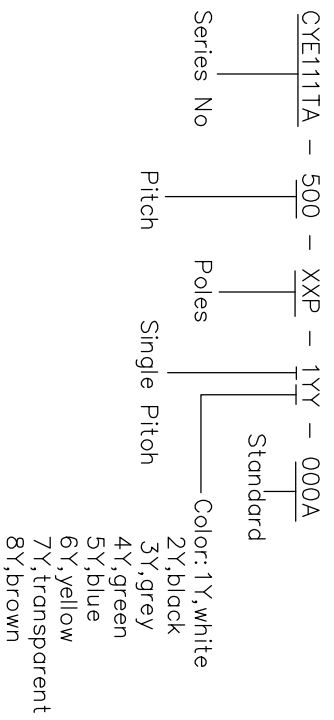
Wire range : 26 ~ 12 AWG

2. IEC Standard

Pollution degree	2	2	3
Overvoltage category	II	III	III
Rate impulse voltage(KV)	4	4	4
Rate voltage(V)	320	250	250
Rate current(A)	18		

Wire range : 0.2 ~ 2.5 mm²

3. Torque: 0.5 N.m(4.43 Lb.in)
4. Pitch : 5.0 mm, Poles : N = 02*3/03*3 P
5. Stripping length : 7 ~ 8 mm
6. Operating temperature: -40°C ~ +105°C
7. RoHS Compliance
8. Material: Housing PA66, UL94V-0
Screws M3 Steel, Cr plated
Pin copper alloy, Sn plated



Remark: This drawing is a controlled document for Cymannu. All specifications are subject to change without prior notice.

Linear dimension	≡	□	∥	⊥
over 18 to 30	over 30 to 50	over 50 to 80	over 80 to 120	over 120 to 160
over 160 to 200	all	to 5	to 5 to 30	over 30 to 120
tolerance ±0.15 to ±0.30	±0.25 to ±0.35	±0.45 to ±0.60	±0.75 to ±0.90	0.5 to 0.025
				0.06 to 0.12
				0.4

SIZE: A4	SCALE: 4:3	CHECKED: C. LU	APPROVED: H. JIANG
UNIT: mm	SHEET: 1/1	DATE: 04/29/2021	DATE: 04/29/2021

PART NO.: CYE111TA-500-XXP-1YY-000A	TITLE: Fixed connector
CUSTOMER:	

Cymannu 囍字电子
NINGBO CHANGYU ELECTRONICS MANUFACTURING CO., LTD
Email: sales@cymannu.com WWW.CYMANNU.COM