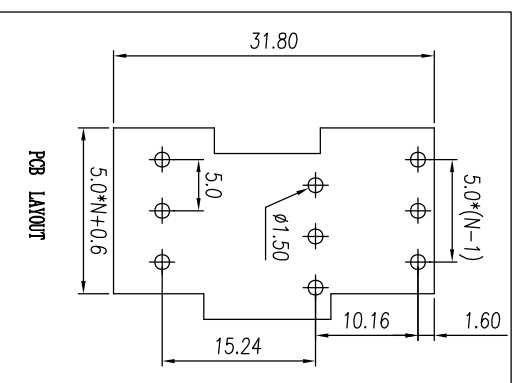
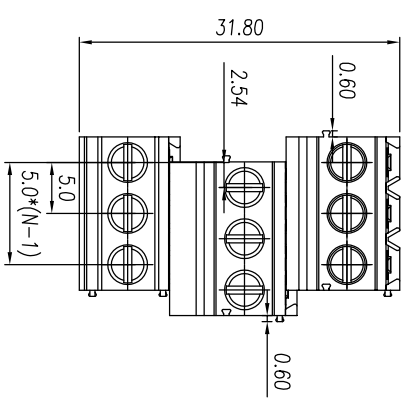
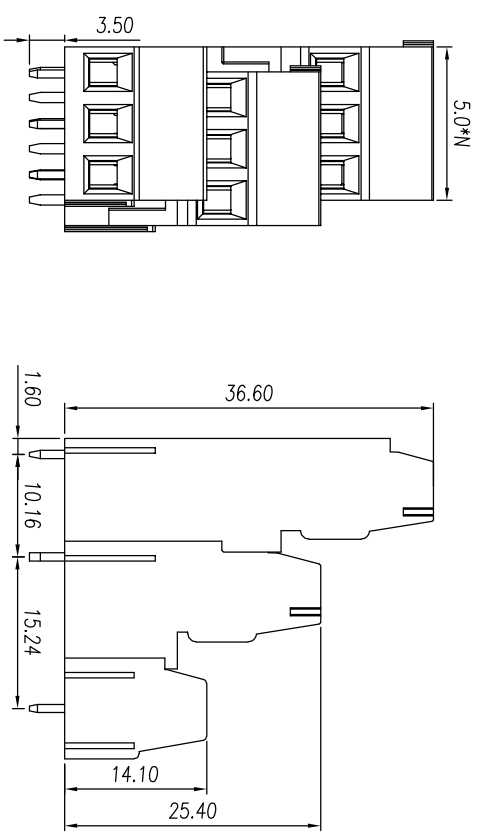
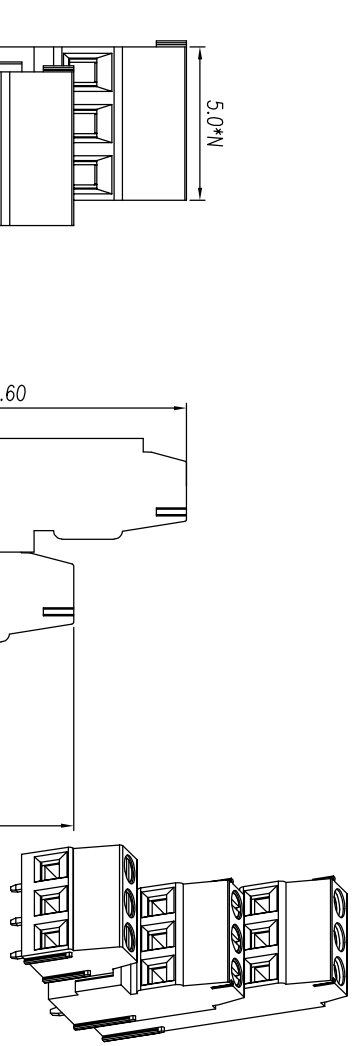


REV	ECN	SIGN	DATE	DESCRIPTION
1.0	V0	K. ZHAO	04/29/2021	



NOTES:  
1. UL Standard

Application	B	C	D
Rate voltage(V)	300	/	300
Rate current(A)	16	/	10
Rate impulse voltage(KV)	1.6		

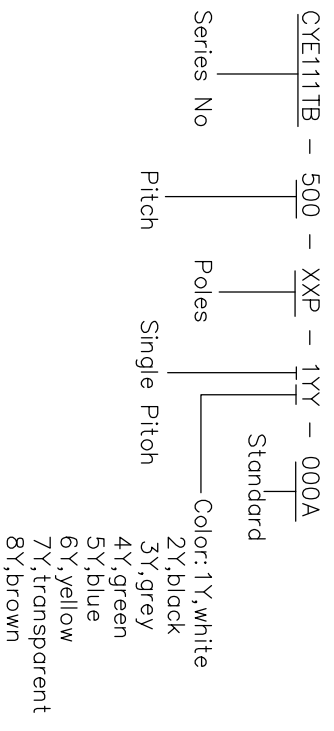
Wire range : 26 ~ 12 AWG

2. IEC Standard

Pollution degree	2	2	3
Overvoltage category	II	III	III
Rate impulse voltage(KV)	4	4	4
Rate voltage(V)	320	250	250
Rate current(A)	18		

Wire range : 0.2 ~ 2.5 mm<sup>2</sup>

3. Torque: 0.5 N.m(4.43 Lb.in)
4. Pitch : 5.0 mm, Poles : N = 02\*3/03\*3 P
5. Stripping length : 7 ~ 8 mm
6. Operating temperature: -40°C ~ +105°C
7. RoHS Compliance
8. Material: Housing PA66, UL94V-0  
Screws M3 Steel/ Cr plated  
Pin copper alloy, Sn plated



Remark: This drawing is a controlled document for Cymannu. All specifications are subject to change without prior notice.

Linear dimension	≡	□	∥	⊥
over 18 to 30	over 30 to 50	over 50 to 80	over 80 to 120	over 120 to 160
over 30 to 50	over 50 to 80	over 80 to 120	over 120 to 160	over 160 to 200
all	to 5	to 5	to 30	to 120
0.5	0.025	0.06	0.12	0.4

SIZE: A4	SCALE: 4:3	CHECKED: C. LU	APPROVED: H. JIANG
UNIT: mm	SHEET: 1/1	DATE: 04/29/2021	DATE: 04/29/2021

PARAM: K. ZHAO	DATE: 04/29/2021	PART NO: CYE111TB-500-XXP-1YY-000A
CHECKED: C. LU	DATE: 04/29/2021	TITLE: Fixed connector
APPROVED: H. JIANG	DATE: 04/29/2021	CUSTOMER:

**Cymannu** 囍字電子

NINGBO CHANGYU ELECTRONICS MANUFACTURING CO., LTD

Email: sales@cymannu.com WWW.CYMANNU.COM