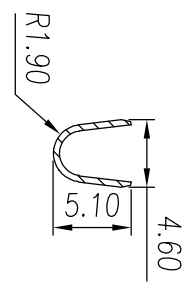
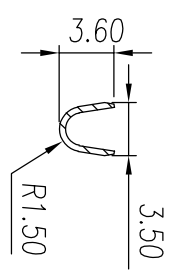
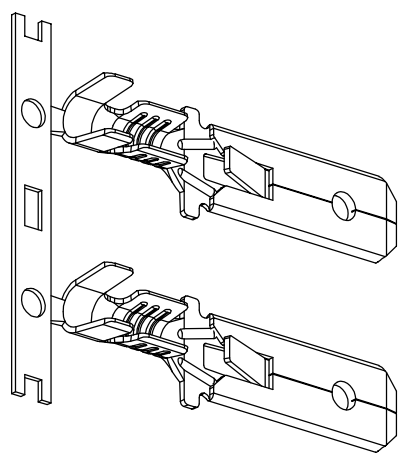


REV	ECN	SIGN	DATE	DESCRIPTION
1.0	V0	K. ZHAO	10/11/2022	

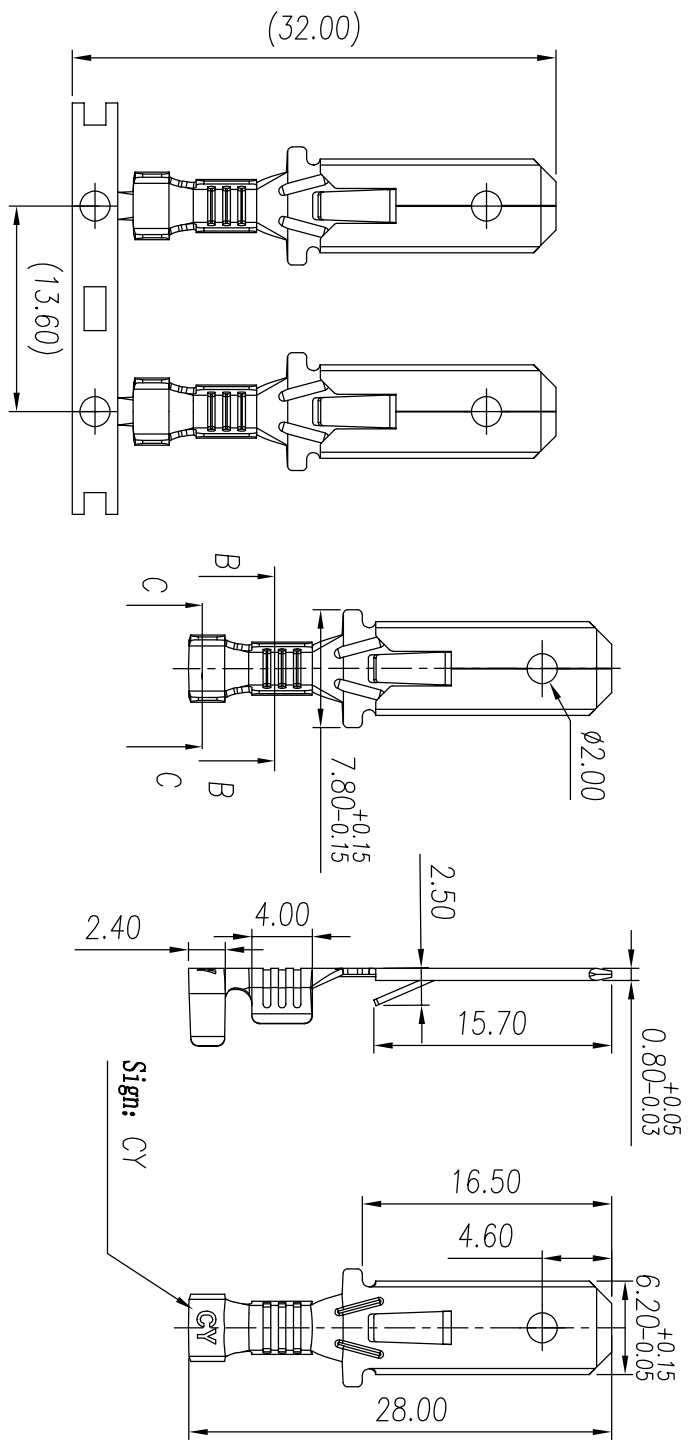


SECTION: B-B

SECTION: C-C

NOTES:

1. Wire range : 0.8 ~ 2.0mm<sup>2</sup>, 18 ~ 14 AWG  
Insulation diameter: 1.9~4.1 mm
2. Rate current(A): 15 max
3. Operating temperature: -40°C~+105°C
4. RoHS Compliance
5. Material: copper alloy, Sn plated
6. Mating Tab Size : 6.3\*0.8



31016301010SN  
Electroplate: SN, Tin  
Ni, Nickel  
AU, Gold

Series No  
Stand

linear dimension

tolerance	±0.15	±0.25	±0.35	±0.45	±0.60	±0.75	±0.90	0.5	0.025	0.06	0.12	0.4
variable range	to 10	over 18 to 30	over 30 to 50	over 50 to 80	over 80 to 120	over 120 to 160	over 160 to 200	all	to 5	over 5 to 30	over 30 to 120	over 120 to

Remark: This drawing is a controlled document for Cymannu. All specifications are subject to change without prior notice.

SIZE: A4	SCALE: 2:1	CHECKED: C. LU	DATE: 10/11/2022	PART NO.: 31016301010SN
UNIT: mm	SHEET: 1/1	APPROVED: H. JIANG	DATE: 10/11/2022	TITLE: Quick-connect/6.3*0.8 Male

**Cymannu** 囍字电子

NINGBO CHANGYU ELECTRONICS MANUFACTURING CO., LTD  
Email: sales@cymannu.com WWW.CYMANNU.COM