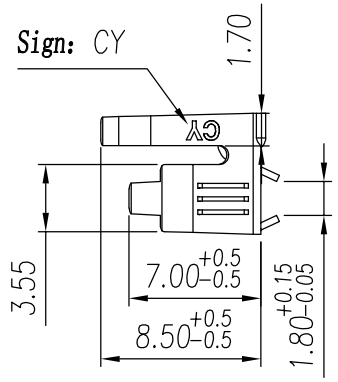
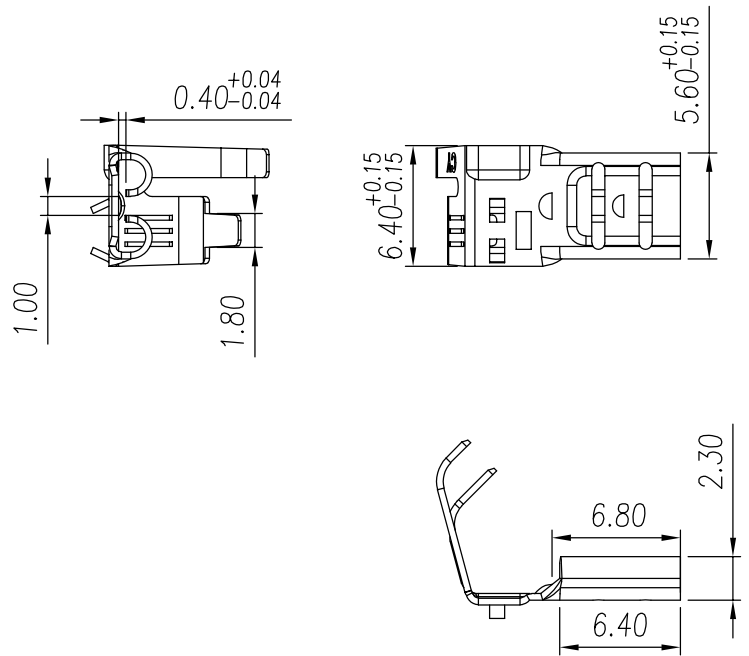
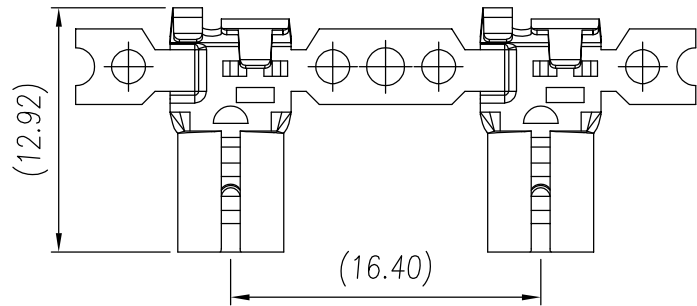


REV	ECN	SIGN	DATE	DESCRIPTION
1.0	V0	K. ZHAO	10/11/2022	



NOTES:

- Wire range : 0.8~2.0 mm<sup>2</sup>, 18 ~14 AWG  
Insulation diameter: 1.9~4.1 mm
- Rate current(A): 15 max
- Operating temperature: -40°C~+105°C
- RoHS Compliance
- Material: copper alloy, Sn plated
- Mating Tab Size : 4.8\*0.5
- Mating Force: 24.5N~50N  
Pullout Force: 38N~53N

32104801010SN  
 Series No      Stand      Electroplate:  
 SN, Tin  
 NI, Nickel  
 AU, Gold

		linear dimension						≡	—	▭	//	⊥
variable range	to 10	over 18 to 30	over 30 to 50	over 50 to 80	over 80 to 120	over 120 to 160	over 160 to 200	all	to 5	over 5 to 30	over 30 to 120	over 120 to
tolerance	±0.15	±0.25	±0.35	±0.45	±0.60	±0.75	±0.90	0.5	0.025	0.06	0.12	0.4

Remark: This drawing is a controlled document for Cymanu. All specifications are subject to change without prior notice.

	DRAWN:	K. ZHAO	DATE:	10/11/2022	PART NO:	32104801010SN
	SIZE:	A4	CHECKED:	C. LU	DATE:	10/11/2022
	SCALE:	5 : 2	TITLE:	Quick-connect /4.8*0.5Female/Flag		
UNIT: mm	SHEET:	1 / 1	APPROVED:	H. JIANG	DATE:	10/11/2022
					CUSTOMER:	NINGBO CHANGYU ELECTRONICS MANUFACTURING CO., LTD Email: sales@cymanu.com      WWW.CYMANU.COM

