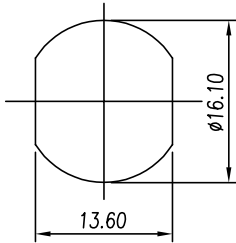
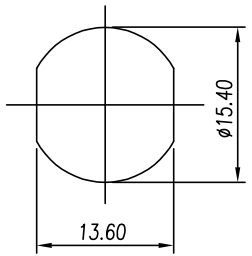


REV	ECN	SIGN	DATE	DESCRIPTION
1.1	V1	K. ZHAO	2024/12/27	Drawing update parameters

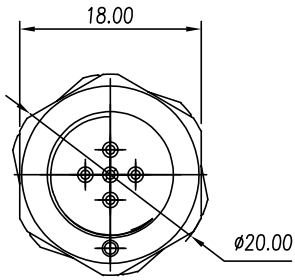
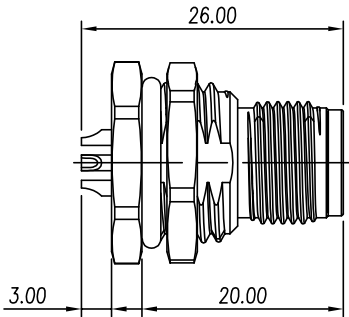
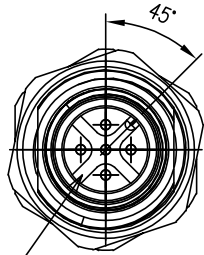


PG9: 5SD-M12A-XXP-MM-SL7000-00AH  
M16\*1.5: 5SD-M12A-XXP-MM-SL7001-00AH

Installation shell opening: maximum thickness 4.5mm,  
Installation torque 1.25Nm

Technical Parameter:

- Insulation Resistance:  $\geq 100M\Omega$
- Contact Resistance:  $\leq 10m\Omega$
- Durability:  $\geq 100$  cycles
- Locking Torque: 0.4Nm
- Compliant with RoHS
- Protection Level: IP68  
(1 meter water depth, 24 hours); IP69K
- Temperature Range:  $-25^{\circ}C \sim 85^{\circ}C$



5SD-M12A - XXP - MM-SL7001 - 00AH  
Coding: A,B,D      Poles      Thread type: 000: PG9, 001: M16\*1.5  
Standard

Grooved: 3P,4P,5P

	linear dimension							≡	—	□	//	⊥
variable range	to 10	over 18 to 30	over 30 to 50	over 50 to 80	over 80 to 120	over 120 to 160	over 160 to 200	all	to 5	over 5 to 30	over 30 to 120	over 120 to 200
tolerance	±0.15	±0.25	±0.35	±0.45	±0.60	±0.75	±0.90	0.5	0.025	0.06	0.12	0.4

Remark: This drawing is a controlled document for Cymanu. All specifications are subject to change without prior notice.

		DRAWN: K. ZHAO	DATE: 08/10/2021	PART NO: 5SD-M12A-XXP-MM-SL7001-00AH	賜宇電子 NINGBO CHANGYU ELECTRONICS MANUFACTURING CO., LTD Email: sales@cymanu.com      WWW.CYMANU.COM
SIZE: A4	SCALE: 4:3	CHECKED: T. Pan	DATE: 08/10/2021	TITLE: M12A, Male, backend installation	
UNIT: mm	SHEET: 1 / 2	APPROVED: H. JIANG	DATE: 08/10/2021	CUSTOMER:	

REV	ECN	SIGN	DATE	DESCRIPTION
1.1	V1	K. ZHAO	2024/12/27	Drawing update parameters

Remarks: Pollution Level (3)/Overvoltage Category (II)/Material Group (I)

Number of Positions	3P	4P	5P	6P	8P	10P	12P
Coding							
Current/Voltage	4A/250V	4A/250V	4A/60V	2A/30V	2A/30V	1.5A/30V	1.5A/30V
Voltage Proof	1.4kV	1.4kV	1.0kV	0.65kV	0.65kV	0.5kV	0.5kV
Rated Impulse Voltage	2.5kV	2.5kV	1.5kV	0.8kV	0.8kV	0.8kV	0.8kV

Remark: This drawing is a controlled document for Cymanu. All specifications are subject to change without prior notice.

	DRAWN: <b>K. ZHAO</b>	DATE: <b>08/10/2021</b>	PART NO: <b>5SD-M12A-XXP-MM-SL7001-00AH</b>
SIZE: <b>A4</b>	SCALE: <b>4 : 3</b>	CHECKED: <b>T. Pan</b>	DATE: <b>08/10/2021</b>
UNIT: mm	SHEET: <b>2 / 2</b>	APPROVED: <b>H. JIANG</b>	DATE: <b>08/10/2021</b>
			TITLE: <b>M12A, Male, backend installation</b>
			CUSTOMER: <b>NINGBO CHANGYU ELECTRONICS MANUFACTURING CO., LTD</b> Email: sales@cymanu.com WWW.CYMANU.COM