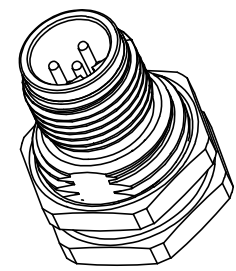


Remarks: Pollution Level (3)/Overvoltage Category (II)/  
Material Group (I)

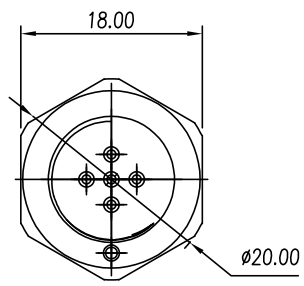
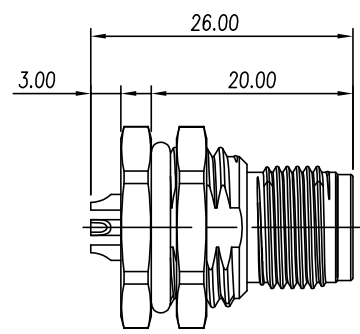
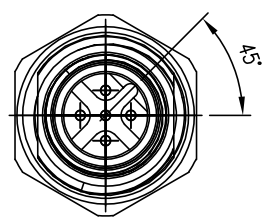
Number of Positions	5P
Coding	
Current/Voltage	4A/60V
Voltage Proof	1.0kV
Rated Impulse Voltage	1.5kV



PG9: 5SD-M12B-05P-MM-SL7000-00AH  
M16\*1.5: 5SD-M12B-05P-MM-SL7001-00AH

Installation shell opening: maximum thickness 4.5mm,  
Installation torque 1.25Nm

REV	ECN	SIGN	DATE	DESCRIPTION
1.1	V1	K. ZHAO	2024/12/27	Drawing update parameters



Technical Parameter:

- Insulation Resistance:  $\geq 100M\Omega$
- Contact Resistance:  $\leq 10m\Omega$
- Durability:  $\geq 100$  cycles
- Locking Torque: 0.4Nm
- Compliant with RoHS
- Protection Level: IP68  
(1 meter water depth, 24 hours); IP69K
- Temperature Range:  $-25^{\circ}C \sim 85^{\circ}C$

5SD-M12B - 05P -MM-SL7001 - 00AH  
Coding: A,B,D      Thread type: 000:PG9      Standard  
Poles      001:M16\*1.5

variable range	linear dimension							≡	—	□	//	⊥
	to 10	over 18 to 30	over 30 to 50	over 50 to 80	over 80 to 120	over 120 to 160	over 160 to 200					
tolerance	±0.15	±0.25	±0.35	±0.45	±0.60	±0.75	±0.90	0.5	0.025	0.06	0.12	0.4

Remark: This drawing is a controlled document for Cymanu. All specifications are subject to change without prior notice.

	DRAWN: K. ZHAO	DATE: 08/10/2021	PART NO: 5SD-M12B-05P-MM-SL7001-00AH
SIZE: A4	SCALE: 4 : 3	CHECKED: T. Pan	DATE: 08/10/2021
UNIT: mm	SHEET: 1 / 1	APPROVED: H. JIANG	DATE: 08/10/2021
			TITLE: M12B, Male, backend installation
			CUSTOMER:
			NINGBO CHANGYU ELECTRONICS MANUFACTURING CO., LTD Email: sales@cymanu.com      WWW.CYMANU.COM

